

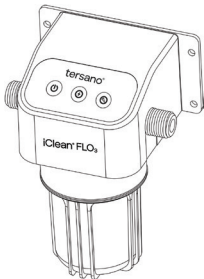
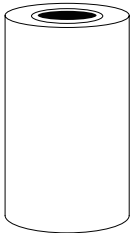
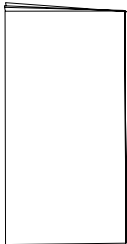
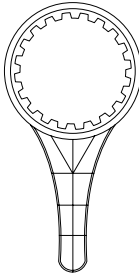
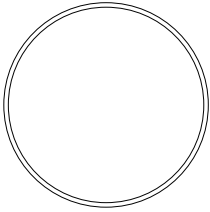
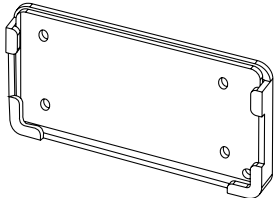
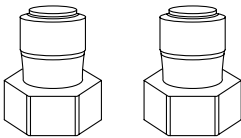
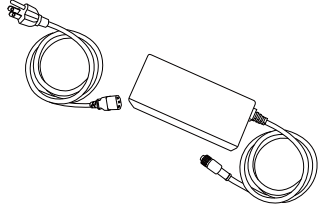
iClean® FLO₃

IMPORTANT SAFETY INSTRUCTIONS.
 READ THESE INSTRUCTIONS COMPLETELY BEFORE USE.
 SAVE THESE INSTRUCTIONS FOR FUTURE REFERENCE.

Applications & Model #s

Faucets (LQFC510)	Ice Machines (LQFC520)	Beverage Lines (LQFC530)	Laundry (LQFC540)
-------------------	------------------------	--------------------------	-------------------

Included with Purchase

 iClean FLO ₃	 Sediment Filter x1 (Inside Filter Housing)	 User Guide x1	 Filter Housing Wrench x1
 Spare Part For Future Replacement: O-Ring x1	 Mounting Bracket x1	 3/8" Push-fit Connector x2	 Power Adapter x1

Specifications

Model Number	LQFC5XX
EPA Establishment #	93508-CHN-1
Dimension	131 x 104 x 175 mm
Net Weight	530 g
Power Supply	AC 100-240 V, 50/60 Hz (100 W)
Water Line Connection	3/8" Push Fit
Water Pressure	0.02 MPa - 0.40 MPa
Flow Rate	1.0 - 8.0 L/min
Ozone Concentration	0.5 - 1.7 ppm
Tap Water Quality	Clean, TDS 60-200 ppm
Water Temperature	4-40 °C

Important Safeguards

- Read and follow this User Manual before installation, maintenance, and use. Failure to do so could result in injury, death, damage, and voided warranty.
- Tighten filter housing when in use.
- Disconnect electrical circuits before installing/servicing.
- Do not immerse power cord in water/liquid.
- Do not install device near burners, heaters, or cooking appliances.
- Install all plumbing connections before plugging power to power on.
- Never disassemble, repair, or customize the device; a certified technician must perform all repairs.
- Do not operate device if damaged/malfunctioning; unplug and call the manufacturer.
- Install over drain.
- Indoor use only.
- For more safety info, visit www.tersano.com.

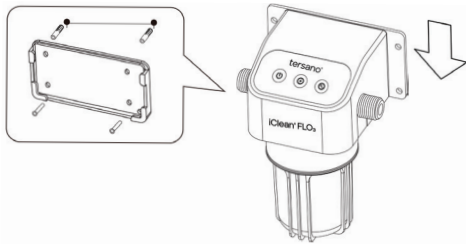
Limited Warranty is valid for one year from the date of your purchase of the product as shown by the sales receipt. Details on website: www.tersano.com.

tersano®

For more information, contact tersano: (800).727.8835 • service@tersano.com

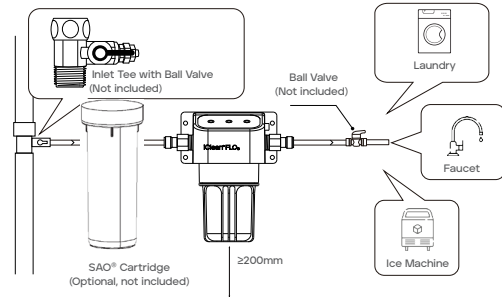
iClean® FLO₃

Installation



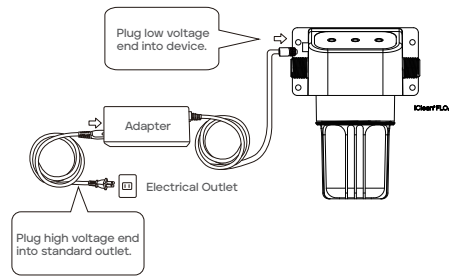
1

Drill holes on a wall/board for mounting bracket. Screw (not provided) bracket to the wall/board.



2

Connect water line connection to water source and device. If water line leaks, check position and re-install.



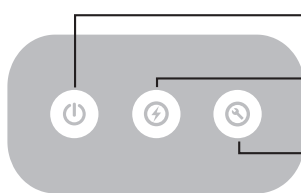
3

iClean FLO₃ is ready to use after water and electrical connection configured.

Indicator Status	Description
Power indicator (Green On) Other lights off	Standby
Power indicator (Green On) Working indicator (Blue On) Maintenance indicator (Red Off)	Work normally
Power indicator (Green On) Working indicator (Blue Flashing) Maintenance indicator (Red on)	Machine fault or maintenance
Power indicator (Green Flashing) Working indicator (Blue On)	Water inflow exceeds the maximum value of the machine (please reduce the water inflow)

Troubleshooting

Indicator Light	Possible Cause	Solution
<ul style="list-style-type: none"> All indicator lights off Water outlet does not produce solution 	<ul style="list-style-type: none"> Power is not connected Power adapter is faulty Equipment Failure 	<ul style="list-style-type: none"> Check if power plug is loose Replace power adapter Call service
<ul style="list-style-type: none"> All indicator lights off Water outlet produces solution 	<ul style="list-style-type: none"> Indicator light fault 	<ul style="list-style-type: none"> Call service
<ul style="list-style-type: none"> No water from the water outlet 	<ul style="list-style-type: none"> Outlet water flow is blocked No water supply to the inlet Blockage inside device 	<ul style="list-style-type: none"> Replace sediment filter Ensure inlet pipe connected Ensure water source to inlet correct Call service
<ul style="list-style-type: none"> Power light on Operation light off Water flow is nominal 	<ul style="list-style-type: none"> The flow meter does not work 	<ul style="list-style-type: none"> Call Service
<ul style="list-style-type: none"> Blue light off 	<ul style="list-style-type: none"> Flow rate too low 	<ul style="list-style-type: none"> Increase flow rate to minimum of 1L/min



Continuous Green: Standby
Flashing Green Light: Water inflow exceeds maximum value of machine
Continuous Blue: Working
Continuous Red: Call Service

Replace sediment filter every 3-6 months (average). Refer to instructions in replacement sediment filter package.

tersano® | For more information, contact tersano: (800).727.8835 • service@tersano.com