

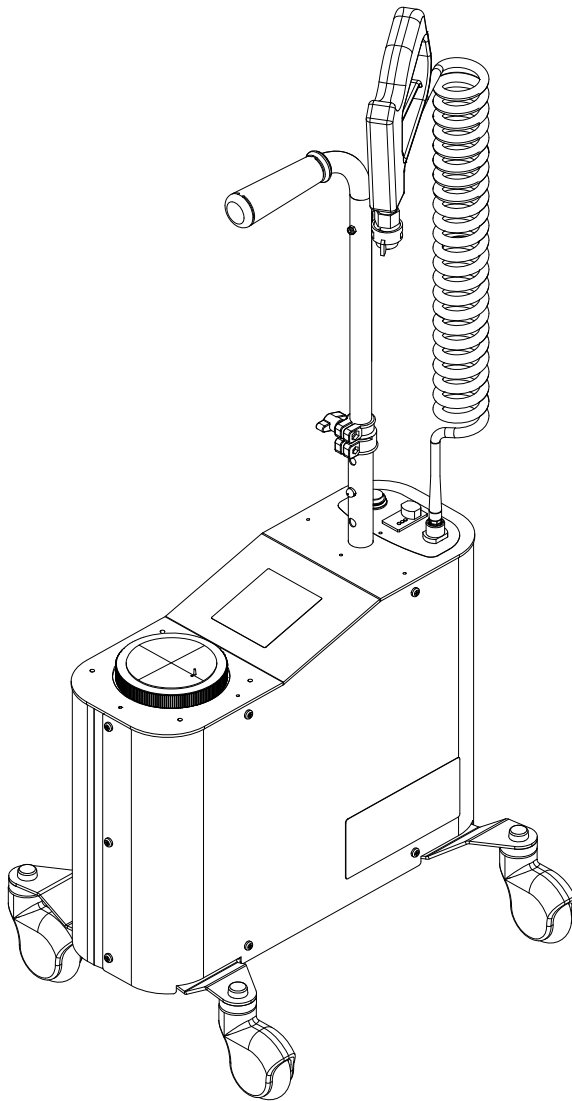


PS 4/7 BP

Operating instructions (ENG)

MODELS:

TD12V120
1.007-082.0



WARNING:

This product and accessories may contain a chemical known to the State of California to cause cancer and birth defects or other reproductive harm.

For more information about this regulation: www.P65Warnings.ca.gov



86390170-L
02/07/18



Read these instructions before using the machine.

Model: _____

Date of Purchase: _____

Serial Number: _____

Dealer: _____

Address: _____

Phone Number: _____

Sales Representative: _____

Overview

This appliance is used to spray disinfecting solution on areas.

Warranty Registration

Thank you for choosing our product. Warranty registration is quick and easy. Your registration will allow us to serve you better over the lifetime of the product.

To register your product go to:

<http://warranty.karcherna.com/warrantyregistration.aspx>

For customer assistance:

1-800-444-7654

Machine Data Label2
 Overview2
Table of Contents3
How To Use This Manual4

Safety

IMPORTANT SAFETY INSTRUCTIONS5
 HAZARD INTENSITY LEVEL7

Operation

Technical Details10
 Controls/Components11
 Pre-Run Inspection12
 Using the Sprayer12
 Charging12
 Emptying and Cleaning12

Maintenance

Daily Maintenance13
 Periodic Maintenance13
 Cleaning Nozzle13
 Monthly Maintenance13
 Storage13
 Pump Replacement14
 Battery Replacement14
 Troubleshooting15

Parts

Base 18
 Battery and Bracket 20
 Accumulator and Pump 22
 Tank 24
 Shell 26
 Handle 28
 Sprayer 30
 Wiring Diagram 32
 Suggested Spare Parts 34
 Serial Numbers 35

How To Use This Manual

This manual contains the following sections:

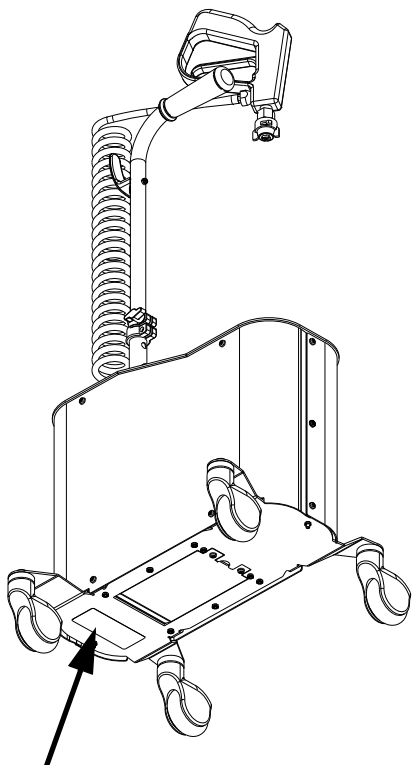
- How to Use This Manual
- Safety
- Operations
- Maintenance
- Parts List

The HOW TO USE THIS MANUAL section will tell you how to find important information for ordering correct repair parts.

Parts may be ordered from authorized dealers. When placing an order for parts, the machine model and machine serial number are important. Refer to the MACHINE DATA box which is filled out during the installation of your machine. The MACHINE DATA box is located on the inside of the front cover of this manual.

Model:	_____
Date of Purchase:	_____
Serial Number:	_____
Dealer:	_____
Address:	_____
Phone Number:	_____
Sales Representative:	_____

The model and serial number of your machine is located on the bottom of the machine.



The SAFETY section contains important information regarding hazardous or unsafe practices of the machine. Levels of hazards are identified that could result in product damage, personal injury, or severe injury resulting in death.

The OPERATIONS section is to familiarize the operator with the operation and function of the machine.

The MAINTENANCE section contains preventive maintenance to keep the machine and its components in good working condition. They are listed in this general order:

- Maintenance
- Pump Replacement
- Troubleshooting

The PARTS LIST section contains assembled parts illustrations and corresponding parts list. The parts lists include a number of columns of information:

- **REF** – column refers to the reference number on the parts illustration.
- **PART NO.** – column lists the part number for the part.
- **PRV NO.** – reference number.
- **QTY** – column lists the quantity of the part used in that area of the machine.
- **DESCRIPTION** – column is a brief description of the part.
- **SERIAL NO. FROM** – If this column has an (*) and a Reference number, see the SERIAL NUMBERS page in the back of your manual. If column has two asterisk (**), call manufacturer for serial number. The serial number indicates the first machine the part number is applicable to. The main illustration shows the most current design of the machine. When a boxed illustration is shown, it displays the older design.
- **NOTES** – column for information not noted by the other columns.

NOTE: If a service or option kit is installed on your machine, be sure to keep the KIT INSTRUCTIONS which came with the kit. It contains replacement parts numbers needed for ordering future parts.

NOTE: The manual part number is located on the lower left corner of the front cover.

IMPORTANT SAFETY INSTRUCTIONS

When using this machine, basic precaution must always be followed, including the following:

READ ALL INSTRUCTIONS BEFORE USING THIS MACHINE.

! WARNING:

To reduce the risk of fire, electric shock, or injury:

Use only indoors. Do not use outdoors or expose to rain.

Use only as described in this manual. Use only manufacturer's recommended components and attachments.

If the machine is not working properly, has been dropped, damaged, left outdoors, or dropped into water, return it to an authorized service center.

Machine can cause a fire when operating near flammable vapors or materials. Do not operate this machine near flammable fluids, dust or vapors.

This machine is suitable for commercial use, for example in hotels, schools, hospitals, factories, shops and offices for more than normal housekeeping purposes.

Maintenance and repairs must be done by qualified personnel.

During operation, attention shall be paid to other persons, especially children.

The machine shall only be operated by instructed and authorized persons.

Do not handle the plug or machine with wet hands.

Do not unplug battery charger by pulling on cord. To unplug, grasp the plug, not the cord.

Do not use with damaged cord or plug.

Do not pull or carry by cord or hose, use cord or hose as a handle, close a door on cord or hose, or pull cord or hose around sharp edges or corners.

Do not pull/run machine over cord or hose. Keep cord and hose away from heated surfaces.

If the charging cord is damaged it must be replaced.

Unplug before cleaning or servicing.

Operational hazard may occur when running the machine over the charging cord.

To reduce the risk of injury, unplug before servicing.

Do not spray anything that is flammable.

This misting system is specifically designed for use with disinfectants that are EPA approved for misting. Read and understand the EPA label for proper use and personal protection.

READ AND SAVE THESE INSTRUCTIONS

IMPORTANTES MESURES DE SÉCURITÉ

**L'utilisation d'un appareil électrique demande certaines précautions:
LIRE TOUTES LES INSTRUCTIONS AVANT DE FAIRE FONCTIONNER (CET
APPAREIL).**

⚠️ AVERTISSEMENT:

Pour réduire les risques d'incendie, de chocs électriques, ou de blessures.

N'utiliser cette machine qu'en intérieur. Ne jamais l'utiliser à l'extérieur ou dans la pluie.

N'utiliser cette machine que comme décrit dans le présent manuel. N'utiliser que les composants et les accessoires conseillés par le fabricant.

Lorsque la machine ne fonctionnant pas correctement, a fait l'objet d'une chute ou d'une détérioration, a été laissée à l'extérieur, est tombée dans l'eau, la retourner au centre de service agréé.

Cette machine peut provoquer un incendie lorsqu'elle est utilisée près de vapeurs ou de matériaux inflammables. Ne pas l'utiliser près de liquides, de poussières ou de vapeurs inflammables.

Cette machine est destinée à un usage commercial. Elle est recommandée davantage pour les domaines hôtelier, scolaire, hospitalier, industriel ou pour les bureaux, les chaînes de magasin, que pour un usage domestique normal.

L'entretien et les réparations de la machine doivent être effectuées par un personnel qualifié.

Durant la manoeuvre de la machine, prendre garde aux personnes environnantes et notamment aux enfants.

Cette machine ne doit être manoeuvrée que par un personnel expérimenté et qualifié.

Lorsque vous laissez la machine sans surveillance, débranchez-la.

Ne pas toucher la fiche ou l'appareil lorsque vos mains sont humides.

Ne pas débrancher en tirant sur le cordon. Tirer plutôt la fiche.

Ne pas utiliser si le cordon ou la fiche est endommagé

Ne pas utiliser le cordon ou le boyau pour tirer l'appareil ou le transporter, coincer le cordon ou le boyau dans l'embrasure d'une porte ou appuyer le cordon ou le boyau contre des angles saillants ou des arêtes coupantes.

Ne pas passer l'appareil sur le cordon ou le boyau. Garder le cordon et le boyau à l'écart des surfaces chauffantes.

Si le cordon de chargement est endommagé, il doit être remplacé.

Débranchez la machine avant de la nettoyer ou la réparer.

Des dangers lors de l'utilisation de l'appareil peuvent survenir si celui-ci est utilisé via le cordon de chargement.

Afin de réduire le risqué de blessure, débranchez avant de procéder à l'entretien. Utilisez à l'intérieur uniquement.

Débrancher le cordon d'alimentation de l'appareil avant d'effectuer l'entretien ou des réparations.

Ne vaporiser aucun produit inflammable.

Le système de brumisation est conçu spécifiquement pour être utilisé avec des désinfectants approuvés par l'EPA pour la brumisation. Lire et comprendre l'étiquette EPA pour une utilisation appropriée et la protection personnelle.

CONSERVER CES INSTRUCTIONS

The following symbols are used throughout this guide as indicated in their descriptions:

HAZARD INTENSITY LEVEL

There are three levels of hazard intensity identified by signal words -**WARNING** and **CAUTION** and **FOR SAFETY**. The level of hazard intensity is determined by the following definitions:



WARNING - Hazards or unsafe practices which COULD result in severe personal injury or death.



CAUTION - Hazards or unsafe practices which could result in minor personal injury or product or property damage.

FOR SAFETY: To Identify actions which must be followed for safe operation of equipment.

Report machine damage or faulty operation immediately. Do not use the machine if it is not in proper operating condition. Following is information that signals some potentially dangerous conditions to the operator or the equipment. Read this information carefully. Know when these conditions can exist. Locate all safety devices on the machine. Please take the necessary steps to train the machine operating personnel.

FOR SAFETY:

DO NOT OPERATE MACHINE:

Unless Trained and Authorized.

Unless Operation Guide is Read and understood.

In Flammable or Explosive areas.

In areas with possible falling objects.

WHEN SERVICING MACHINE:

Avoid moving parts. Do not wear loose clothing; jackets, shirts, or sleeves when working on the machine. Use only manufacturer approved replacement parts.

Les symboles ci-dessous sont utilisés à travers ce manuel comme illustré dans leurs descriptions :

DEGRÉS DE RISQUES EN CAS DE DANGER

Il existe trois degrés de risques identifiés par les termes signalétiques -AVERTISSEMENT et ATTENTION et POUR VOTRE SÉCURITÉ. Le degré de risque est défini de la manière suivante :

⚠ AVERTISSEMENT:

Dangers ou méthodes dangereuses qui POURRAIENT provoquer de graves blessures ou entraîner la mort.

⚠ ATTENTION:

Dangers ou méthodes dangereuses qui pourraient provoquer des blessures légères ou une détérioration du produit ou des biens immobiliers.

POUR VOTRE SÉCURITÉ : ce signe permet d'identifier les mesures de précaution à prendre pour assurer un bon fonctionnement du matériel.

Rendre compte immédiatement d'une défaillance ou d'une détérioration de la machine. Ne pas utiliser la machine si celle-ci ne fonctionne pas correctement. Lire soigneusement les informations ci-dessous signalant certains dangers potentiels pour l'opérateur de la machine. L'opérateur doit être absolument au courant de ces dangers potentiels. Localiser tous les dispositifs de sécurité sur la machine. Il est conseillé de prendre les mesures nécessaires pour former le personnel opérateur.

POUR VOTRE SÉCURITÉ :

NE PAS MANOEUVRER LA MACHINE :

Lorsqu'on n'est pas expérimenté ou qualifié.

Lorsque le guide d'utilisation n'est pas été lu ou compris.

Dans des zones inflammables ou explosives.

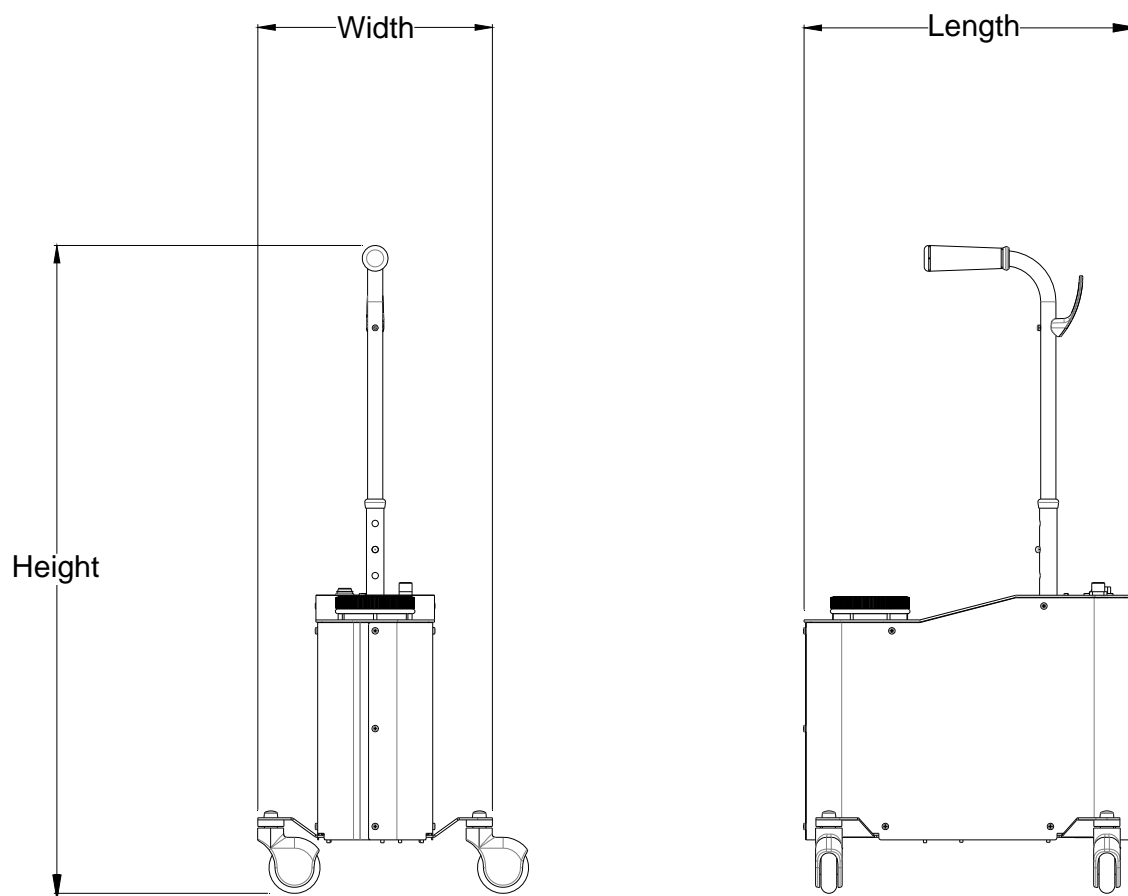
Dans des zones où des objets peuvent tomber.

LORS DE L'ENTRETIEN DE LA MACHINE :

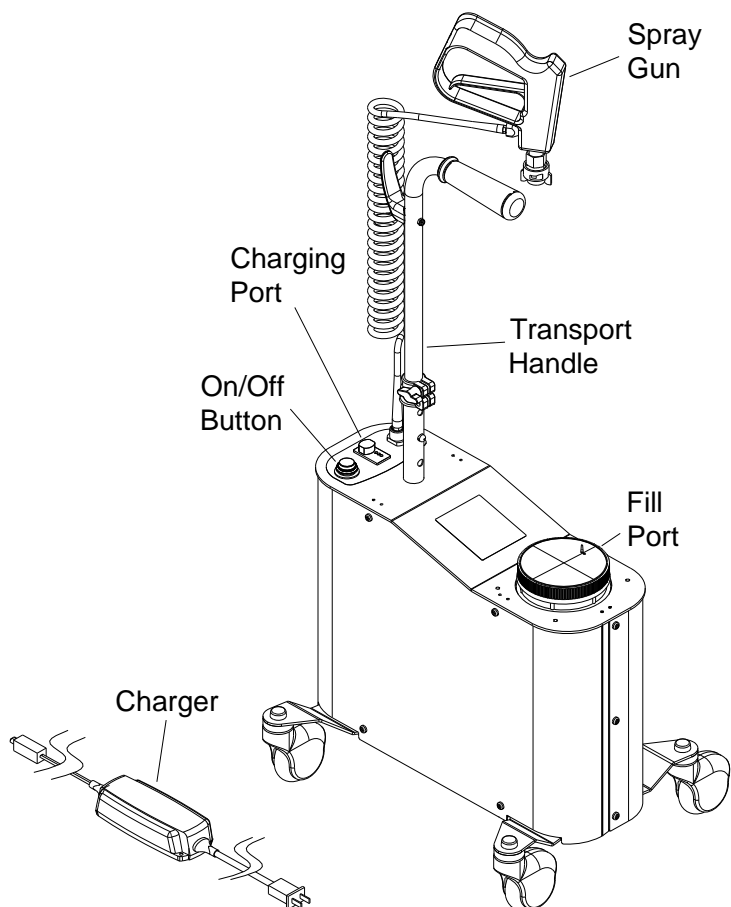
Éviter les parties amovibles. Ne pas porter de vêtements amples, tels que des vestes, des chemises ou des vêtements avec manches lors de l'utilisation de la machine. Utiliser les pièces détachées homologuées.

Technical Details

ITEM	MEASURE	
Weight	32LB	14.5KG
Height	39.5"	1003MM
Compact size for transport and storage	22.5"	571.5MM
Wheels	3"	76MM
Length	19"	482.6MM
Width	13.5"	343MM



Controls/Components

**⚠ WARNING:**

If switching between chemicals, thoroughly flush system with water before introducing new chemical.

⚠ AVERTISSEMENT:

Rincer à fond le système avec de l'eau avant d'y verser un nouveau produit.

⚠ CAUTION:

Machine is not designed to be sat upon or ridden.

⚠ ATTENTION:

L'appareil n'est pas conçu pour s'y asseoir ou être conduit.

Pre-Run Inspection

1. Check all fittings and connectors for proper assembly.
2. Check all hoses for leaks. Repair or replace any damaged hoses.
3. Remove tank lid and add pre-mixed chemical to chemical reservoir.
4. Remove nozzle and prime pump by spraying back into tank for 10 sec.
5. Replace nozzle on gun and lid on tank.

Using the Sprayer

1. Press button to turn on machine.
2. Before proceeding, make certain that the nozzle is functioning properly.
 - a. To check, hold the spray gun about one foot above the surface to be cleaned and open the spray gun valve. A full spray should be observed from the nozzle.
 - b. If the nozzle is not showing a full spray pattern, remove nozzle to clean or replace nozzle.
3. Keep the spray gun moving at approximately one foot per second when the valve is open.

Charging

1. Use indicator on machine to determine if machine needs to be charged. (Green light = No charge required, Yellow Light = Approaching charge, Red Light = Battery charge needed.)
2. Check charging cord(s) for any damage. If damaged, replace.
3. Connect charger to machine.
4. Plug charger into 120v power outlet.
5. Set charger to cold weather/AGM setting
6. Disconnect charger before use.

CAUTION:

Always close charge port after charging. If charge port is contaminated by debris, clear with compressed air.

Do not operate machine while charging.

ATTENTION:

Fermer la borne d'alimentation électrique après la recharge. S'il y a des saletés sur la borne d'alimentation électrique, les déloger au moyen d'air comprimé.

Ne pas operate la machine pendant le chargement.

Emptying and Cleaning

1. With machine on, open spray valve until spray stops. To speed up process, remove nozzle.
2. Turn machine off.
3. Remove reservoir cap and dump chemical by turning machine over.
4. Fill reservoir with warm water. (0.5-1 Gallon)
5. Turn machine back on.
6. Open spray valve until spray stops. To speed up process, remove nozzle.

7. Dump out any remaining water.

Daily Maintenance

⚠ WARNING:

Unplug power cord(s) before servicing or making any repairs.

⚠ AVERTISSEMENT:

Débranchez le cordon d'alimentation (s) avant de réparer ou d'effectuer des réparations.

1. Inspect hoses for wear. Frayed or cracked hoses should be replaced to avoid solution pressure loss.
2. Inspect charging cord for wear or damage. To prevent electrical shock, replace cords that are frayed or have cracked insulation immediately.
3. Flush the entire system, including spray gun, with 0.5 to 1 gallons of clean, warm water.
4. Check hoses for wear, blockages or damage. Frayed or cracked hoses should be repaired or replaced to eliminate solution pressure loss.
5. Check all handles, switches, knobs, electrical cables and connections on your machine for damage. If the cable insulation is broken or frayed, repair or replace it immediately. Do not take chances with electrical fire or shock.
6. Clean out reservoir, solution screen and nozzle.
7. Clean outside of machine and check for damage.

Cleaning Nozzle

1. Remove nozzle cap and nozzle. Check valve for wear.
2. Clean nozzle with warm water and a soft bristled brush. A stainless steel compatible cleaner may also be used.
3. Reverse steps to re-assemble

NOTE: Make sure to hold spray gun valve open (Squeeze gun trigger) during disassembly and re-assembly.

Monthly Maintenance

1. Check all gaskets for wear and leakage.
2. Check pump pressure; observe spray pattern.
3. Check overall performance of machine.

Storage

Thoroughly clean and flush machine if it is to be stored. Protect this machine from freezing while in storage. Store with access covers removed to allow reservoir to dry.

! WARNING:

Only qualified maintenance personnel are to perform the following repairs.

! AVERTISSEMENT:

Seul le personnel de maintenance qualifiés sont à effectuer les réparations suivantes.

Pump Replacement

1. Turn off all switches and unplug the machine.
2. Open spray gun valve until spray stops.
3. Place rag over spray tip and remove spray tip.
4. Remove side covers.
5. Disconnect wires from battery.
6. Disconnect pump wires from switch.
7. Remove solution hoses from fittings in pump.
8. Remove the two screws that hold the pump onto the frame.
9. Reverse process to install new pump.
10. Check for leaks before installing side covers.

Battery Replacement

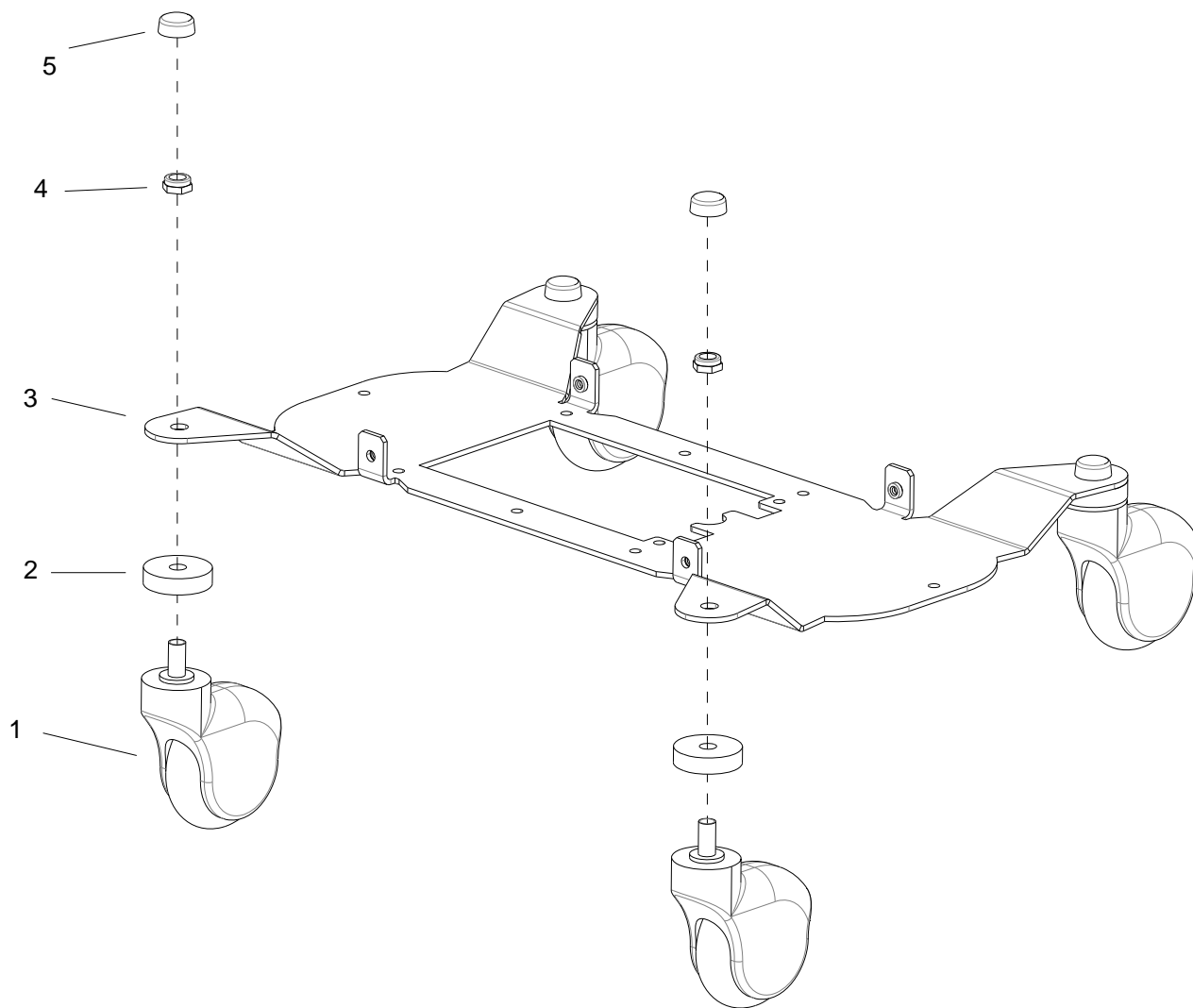
The battery should last for many years, depending on use. In the event that the battery needs replaced, please follow the steps below. Use best electrical practices while performing battery replacement.

1. Turn machine off.
2. Set machine on its side.
3. Remove two screws from battery access panel in bottom of machine.
4. Remove battery access panel and set aside.
5. Remove battery from machine.
6. Disconnect connectors from battery.
7. Dispose of old battery properly.
8. Connect new battery to connectors on wires. Be sure to connect the black wire connector to the negative battery terminal.
9. Install new battery in machine.
10. Replace battery access panel and screws.
11. Set machine back upright.
12. Turn machine on to test function.
13. Charge battery to test function.

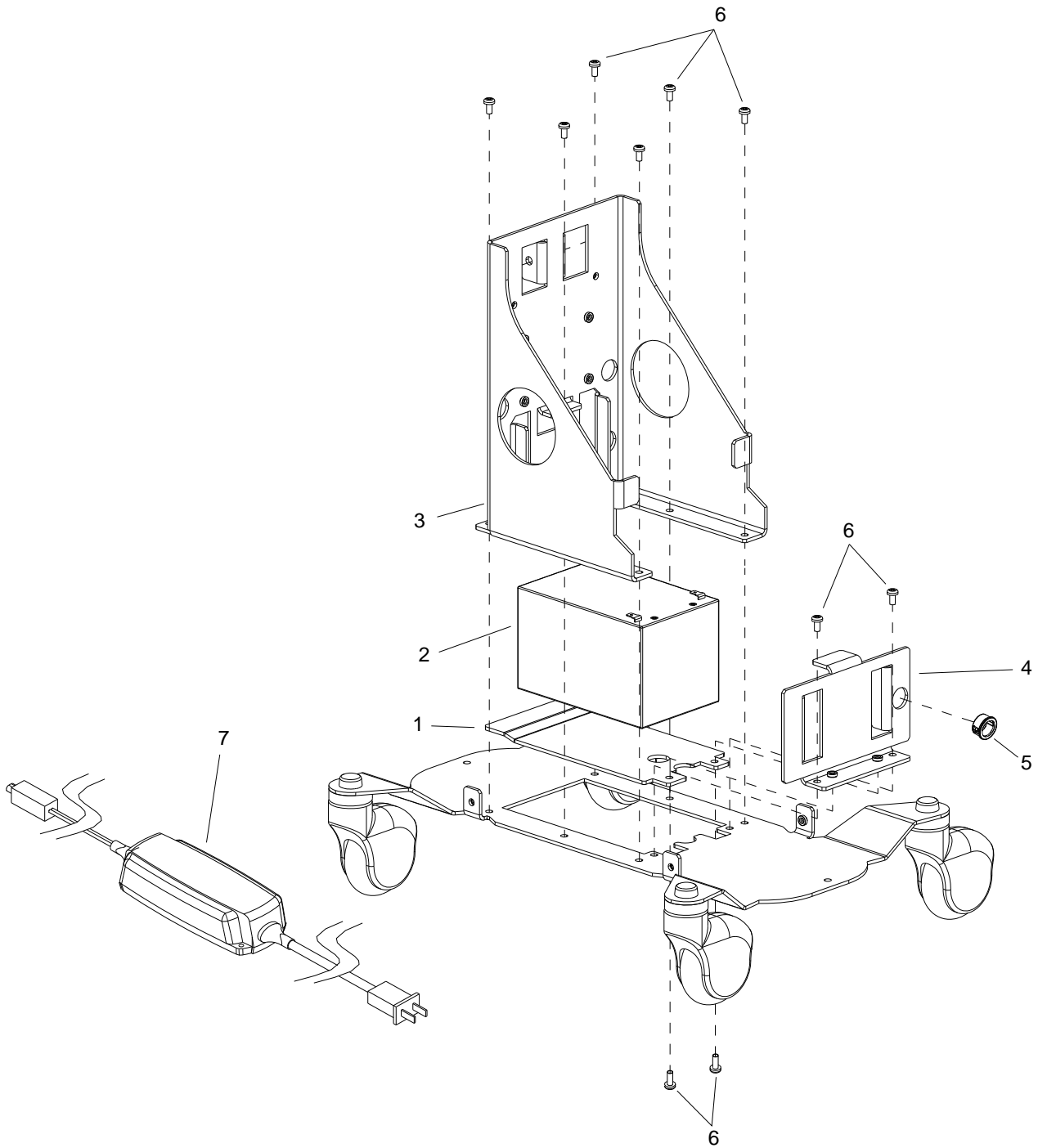
Troubleshooting

Problem	Cause	Solution
Battery won't charge	Loose charger connection	Check that the charger is connected to charge port
	Loose wiring	Check that internal wires are properly connected
	Battery failure	Replace battery
Lights on Charger won't come on	Loose wiring	Check that charger is properly connected to an active 120V outlet
	Switch failure	Replace switch
	Low battery	Charge battery
Pump runs, no solution	Clogged nozzle	With machine off, remove Nozzle, turn machine on until solution flows, turn off machine and replace nozzle
	Clogged filter	Inspect filter for debris, clean if necessary
Pump runs, loss of pressure	Internal pump components wearing out	Replace pump
	Clog in pump	Flush system with water
	Low battery	Charge battery
Pump will not run	Pump motor failure	Replace pump
	Low battery	Charge battery
Solution not flowing properly	Clogged nozzle	With machine off, remove Nozzle, clean nozzle and replace
	Clogged filter	Inspect filter for debris, clean if necessary
Pump won't turn off	Air trapped in pump	Remove nozzle and open valve until air passes through pump
	Out of chemical	Put more chemical in tank

PARTS

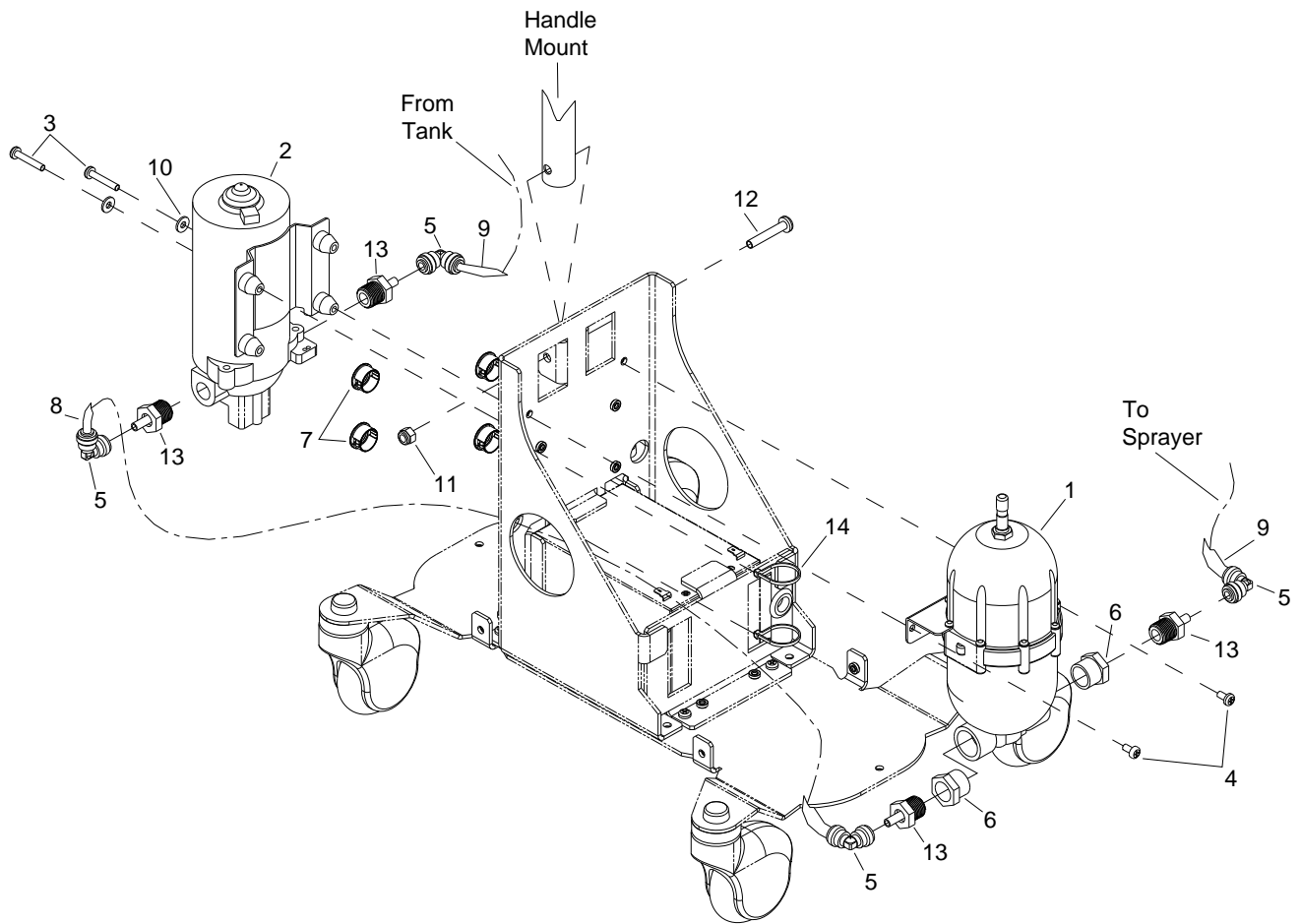


REF	PART NO.	QTY	DESCRIPTION	SERIAL NO. FROM	NOTES
1	86379830	4	CASTER, 3"OD, GRAY		
2	86379820	4	SPACER, 3/8INX1-1/2ODX3/8THK		
3	86379850	1	PLATE, BASE, ASM		
4	86005630	4	NUT HEX NYL LOC-THIN SS 3/8-16		
5	86379840	4	COVER, NUT, 3/8, SATIN CHROME		

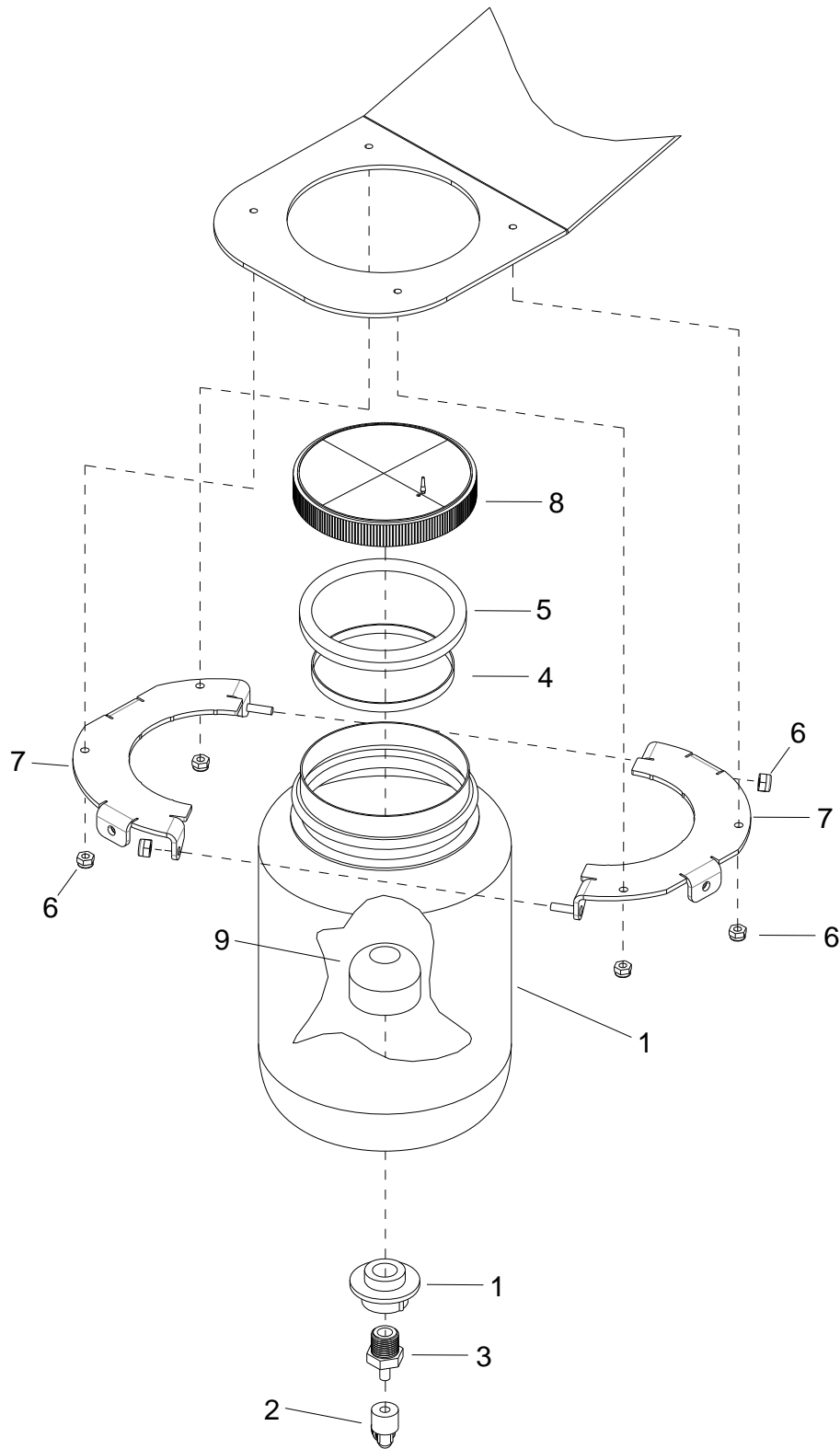


REF	PART NO.	QTY	DESCRIPTION	SERIAL NO. FROM	NOTES
1	86379790	1	PLATE, COVER, BATTERY		
2	86379800	1	BATTERY, AGM, 12V, 10.8 AH		
3	86379860	1	BRKT ASSY, PUMP MOUNT		
4	86391240	1	BRKT, BATTERY BRACE		
5	87067310	1	BUSHING, 3/4" SNAP HEYCO P/N 2096		
6	86274290	10	SCREW, 10-32 X .375 PHPNHMS SS		
7	86390480	1	CHARGER, BATTERY, 12V, CTEK		

Accumulator and Pump

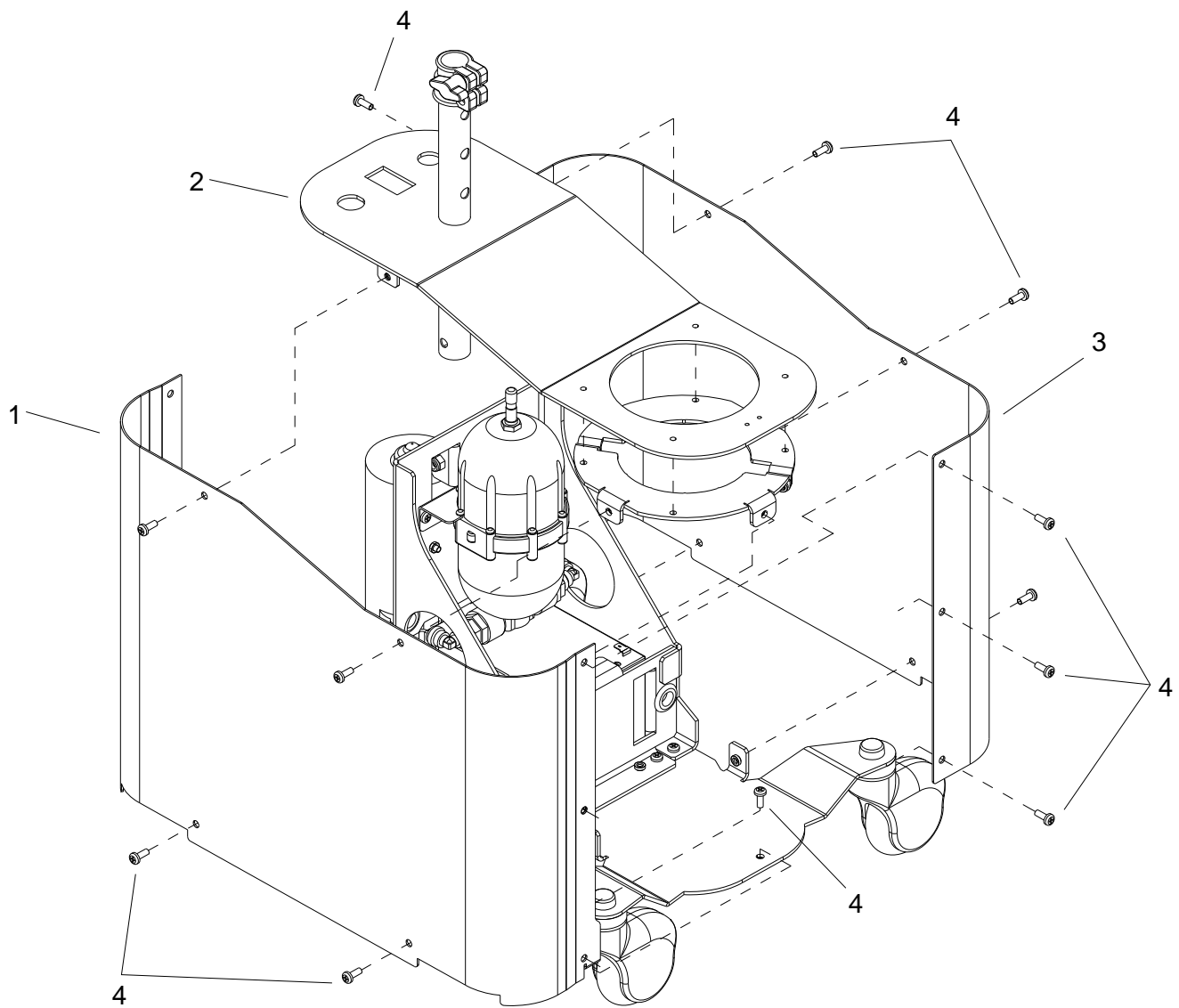


REF	PART NO.	QTY	DESCRIPTION	SERIAL NO. FROM	NOTES
1	86376270	1	ACCUMULATOR, 125PSI		
2	86379870	1	PUMP, ASM, 36VDC, 1.66GPM		
3	86276240	2	SCR, 10-32 X 1-1/8 PPHMS SS		
4	86274290	2	SCREW, 10-32 X .375 PHPNHMS SS		
5	86379880	4	ELBOW, JG, 1/4		
6	86390200	2	BUSHING, 1/2" MPT X 3/8" FPT		
7	87067310	4	BUSHING, 3/4" SNAP HEYCO P/N 2096		
8	86390530	1	TUBE 1/4" OD X 5.75, BLACK		
9	86390540	2	TUBE 1/4" OD X 12.5, BLACK		
10	86010800	2	WASHER .2IDX.500 BLK SS		
11	86005810	1	NUT 1/4-20 HEX NYLOCK SS		
12	86273920	1	SCREW 1/4-20 X 1.75 PPHMS SS		
13	86391260	4	REDUCER, 1/4 X 3/8 NPTF		
14	86264930	2	CABLE TIE, 3.5" UL/CSA		

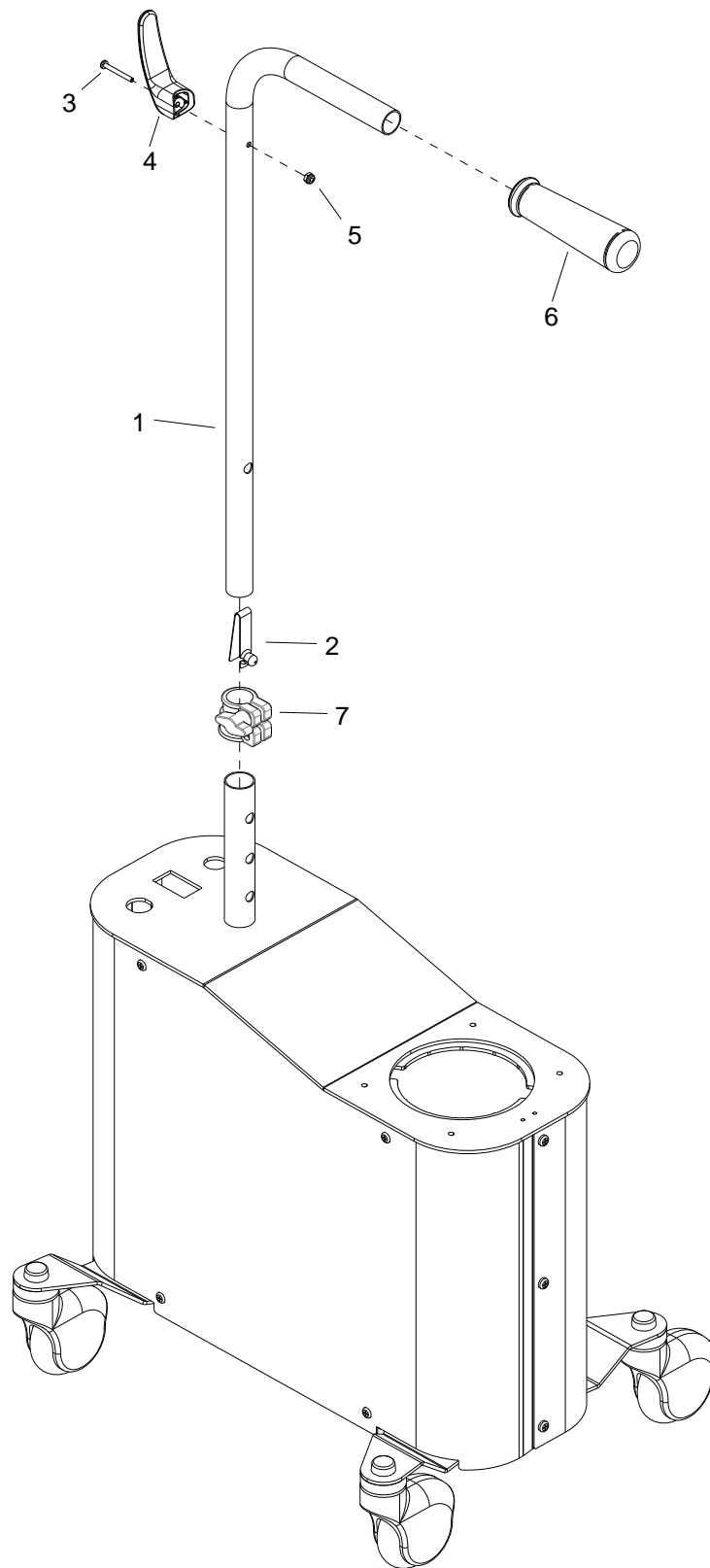


REF	PART NO.	QTY	DESCRIPTION	SERIAL NO. FROM	NOTES
1	86390240	1	BOTTLE, 6.5LB, TRIMMED		
2	86379880	1	ELBOW, JG, 1/4		
3	86391260	1	REDUCER, 1/4 X 3/8 NPTF		
4	86391230	1	GRIP BAND, BOTTLE		
5	86387720	1	GASKET, SOLUTION BOTTLE	1*	
6	86270990	6	NUT 10-32 HEX NYLOCK SS		
7	86384280	2	BRKT, CLAMP, BOTTLE		
8	86390250	1	CAP, ASM, 6.5LB, CHECK VALVE		
9	86007970	1	STRAINER 3/8 IN. NPT 60 MESH		

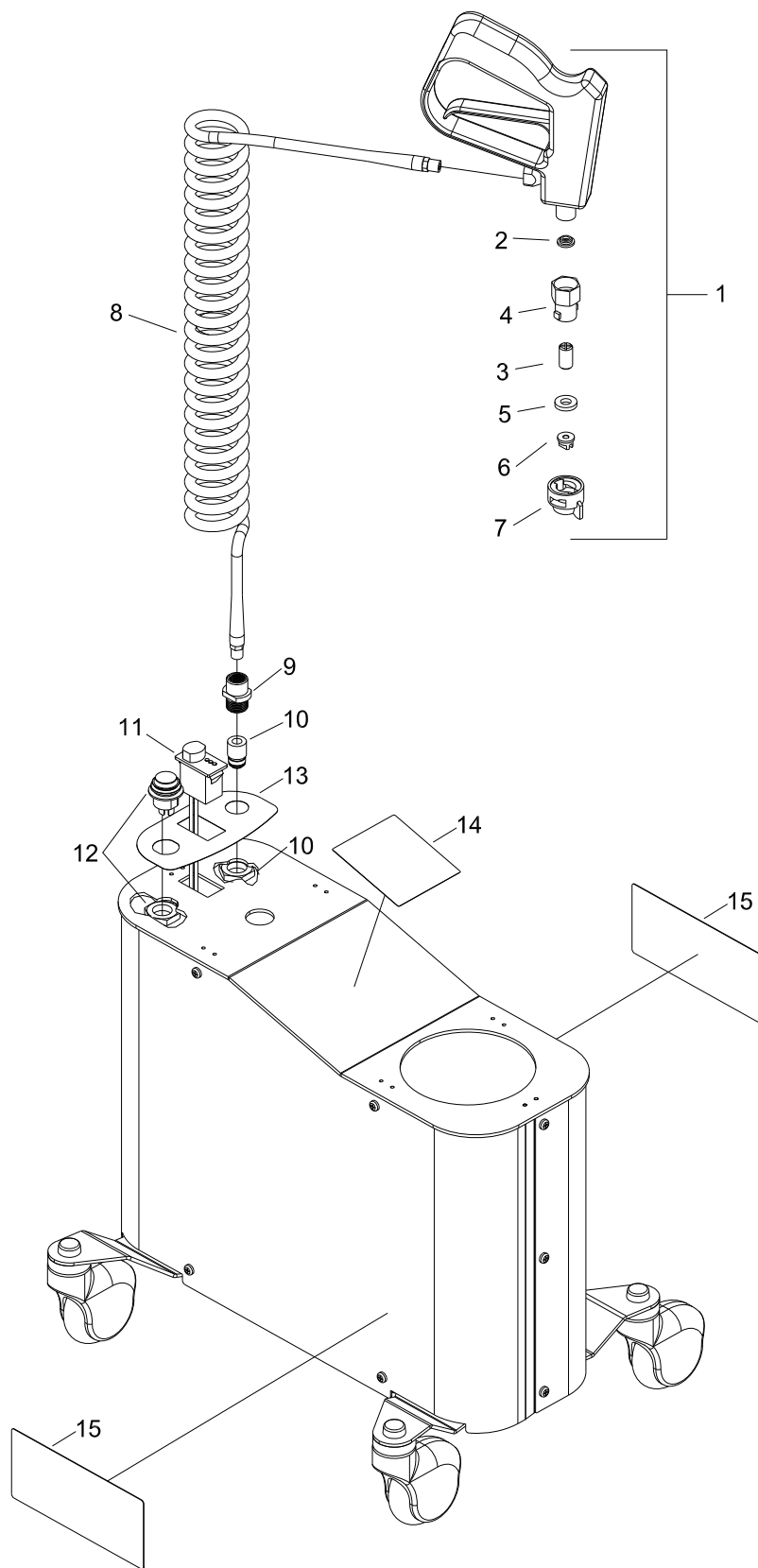
*See Serial Number Page



REF	PART NO.	QTY	DESCRIPTION	SERIAL NO. FROM	NOTES
1	86379780	1	PLATE, COVER, LH		
2	86379980	1	PLATE, TOP, RETAINER ASM		
3	86379770	1	PLATE, COVER, RH		
4	86274290	16	SCREW, 10-32 X .375 PHPNHMS SS		

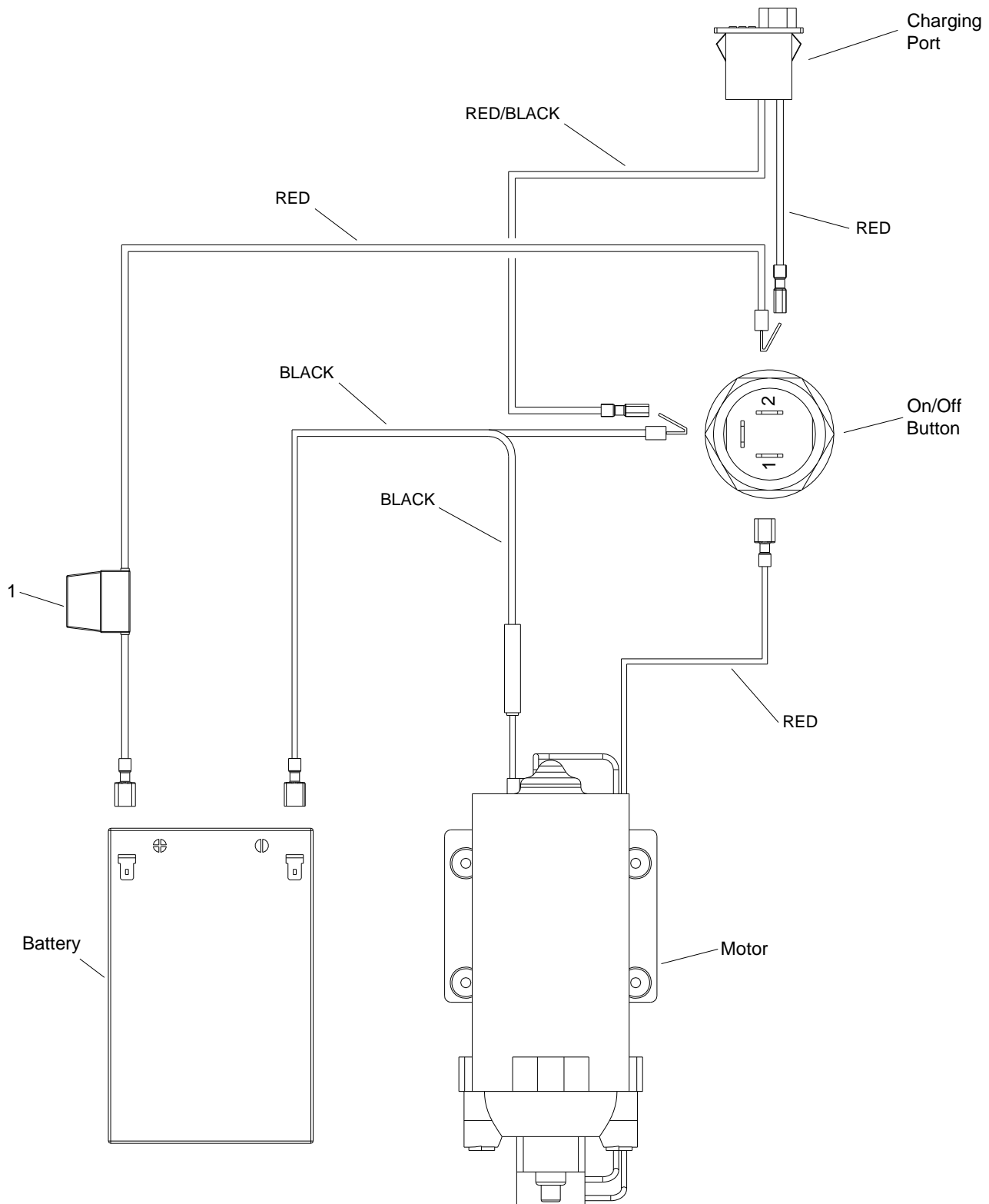


REF	PART NO.	QTY	DESCRIPTION	SERIAL NO. FROM	NOTES
1	86390070	1	HANDLE, TUBE, .875 OD		
2	86390080	1	BUTTON, SNAP, SINGLE, .36DIA		
3	86277490	1	SCR, 6-32 X 1.375 PHPNHMS SS		
4	86217220	1	CORD HOOK, LOWER		
5	86014810	1	NUT, 6-32 ACORN SS		
6	86004070	1	GRIP, POLISHER HANDLE		
7	86391270	1	SPLIT LOCK COLLAR, 1" TO 7/8"		



REF	PART NO.	QTY	DESCRIPTION	SERIAL NO. FROM	NOTES
1	86400010	1	KIT, SPRAY GUN, PS 4/7 BP		INCLUDES ITEMS 2-7
2	86391200	1	WASHER, GUN, UNIJET NOZZLE		
3	86391680	1	NOZZLE VOLUME SPACER		
4	86391190	1	ADAPTER, UNIJET 1/4 TURN		
5	86390140	1	GASKET, NOZZLE, SEAT		
6	86390150	1	NOZZLE, TPU400033-SS		
7	86391180	1	CAP, UNIJET NOZZLE, 1/4 TURN		
8	86390040	1	HOSE, 1/4X1/4MPT, RETRACTABLE		
9	86390020	1	BULKHEAD, 1/4"FNPT, BLK		
10	86390060	1	CONNECTOR, JG 1/4 X 1/4 MPT		
11	86390470	1	CHARGING PORT, IND ASM, CTEK		
12	86379990	1	BUTTON, SWITCH, BLUE, 12V		
13	86390330	1	DECAL, SPRAYER, TOP		
14	86335000	1	LABEL, AKW DOMED LOGO		
15	86393340	2	LABEL PS 4/7 BP		

Wiring Diagram



REF	PART NO.	QTY	DESCRIPTION	SERIAL NO. FROM	NOTES
1	86390580	1	WIRE, INLINE FUSE, CTEK, 5AMP		Can be substituted with standard automotive 5 Amp fuse

Suggested Spare Parts

PART NO.	DESCRIPTION	SERIAL NO. FROM	NOTES
86379870	PUMP, ASM, 36VDC, 1.66GPM		
86379800	BATTERY, AGM, 12V, 10.8 AH		
86007970	STRAINER 3/8 IN. NPT 60 MESH		
86390250	CAP, ASM, 6.5LB, CHECK VALVE		
86390560	GUN, ASM, 1/4 TURN NOZZLE		
86390150	NOZZLE, TPU400033-SS		
86390040	HOSE, 1/4X1/4MPT, RETRACTABLE		
86390480	CHARGER, BATTERY, 12V, CTEK		

REF. NO.	MODEL: SERIAL #
1	10070820000561