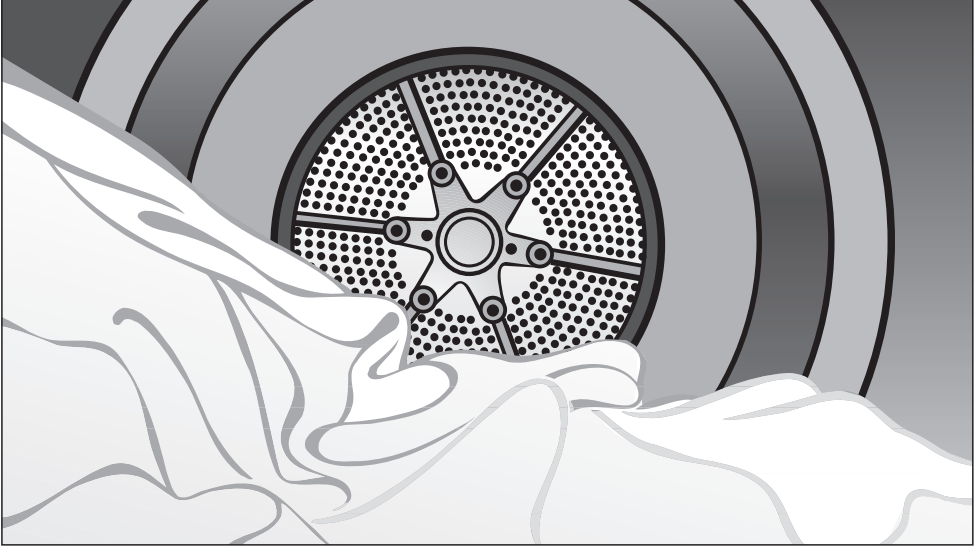


Miele



Operating and Installation Instructions PT 7186 Vario

INDUSTRIAL USE ONLY

To prevent accidents
and appliance damage
read these instructions

before
installation or use.

en - US


M.-Nr. 09 146 092

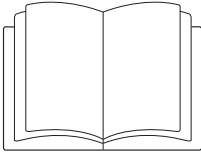
Contents

IMPORTANT SAFETY INSTRUCTIONS	4
Guide to the tumble dryer	10
Control panel	10
Before using for the first time	10
Display	11
Operating the tumble dryer	13
Tips	14
1. Sort the laundry	14
2. Load the tumble dryer	15
3. Select a program	15
Quick Guide	16
Selecting a program	20
Selecting/changing a program	20
Low temperature	22
Saving a program as a favorite	22
Timer	23
Changing the program sequence	24
Payment system	24
Once a program has started	24
- changing the program	24
- canceling the program	24
Adding or removing laundry after a program has started	24
Power cuts	24
Time remaining	24
Cleaning and care	25
Cleaning the lint filter	25
Removing the filter	25
Taking the filter apart	25
Cleaning the filter while dry	26
Cleaning the lint filter with water	26
Replacing the filter	26
Cleaning the filter housing	27
Quick cleaning	27
Extra cleaning	27
- Fan	27
- The cover in the door opening	28
Cleaning the tumble dryer	29

Frequently asked questions	30
Check and fault messages in the display	30
An unsatisfactory drying result	32
Other problems	33
Changing the lamp	36
Peak load cut-out	37
Service interval	37
After sales service	38
Optional accessories	38
Installation instructions	39
Installation	40
View from the side	41
Rear view	41
View from above	41
Installation on a raised plinth	41
Payment system	41
Installing the tumble dryer	42
Moving the tumble dryer	42
Levelling the tumble dryer	42
Securing the tumble dryer against slippage	44
Room ventilation	44
Electrical connection	45
Installation - extraction ducting	46
General	46
To calculate the total duct length	47
Procedure	47
Calculation example	48
Exhaust socket dimensions	48
Venting system with plastic piping	49
Venting system with flexible ducting	50
Venting more than one dryer via the same ducting system	51
Technical data	52
Help protect the environment	53

IMPORTANT SAFETY INSTRUCTIONS

 **WARNING** - To reduce the risk of fire, electric shock, or injury to persons when using your appliance, follow basic precautions, including the following:



► It is **essential** to read these instructions.


READ AND SAVE THESE INSTRUCTIONS

This tumble dryer is only intended for industrial or institutional use and should not be used by anyone who is not specially trained to operate it. This also applies to industrial applications performed in residential environments.

Compliant use of the dryer has been investigated with respect to industrial use only (UL 1240).

Keep these operating instructions in a safe place and pass them on to any future user.


Read all instructions before installation or use of the dryer to prevent injury and machine damage.

 Installation, repair and maintenance work should be performed by a Miele authorized service technician. Work by unqualified persons could be dangerous.

Improper use of the appliance can lead to personal injury and material damage.

All personnel working with this machine must be fully trained in all aspects of its use and safety.

Proper use of the dryer

 The dryer is only intended for drying fabrics that were washed with water as a cleaning agent.

► The dryer is only intended for drying fabrics that were washed with water as a cleaning agent. Check fabric care labels to verify that the articles can be machine dried.

"Dry cleaning kits" for freshening up garments in a tumble dryer are increasingly available on the market. If using, do so at your own risk, and follow the instructions provided on the packaging.

Any other applications may be dangerous.

► Persons who lack physical, sensory or mental abilities, or experience with the appliance should not use the dishwasher without supervision or instruction by a responsible person.

IMPORTANT SAFETY INSTRUCTIONS

- ▶ Do not let children play in, on or near the dryer. Do not let them play with the controls or operate the unit.
- ▶ If the dryer is operated in a publicly accessible area, the operator must ensure the safe use of the appliance.

Technical safety

- ▶ Before installation of the dryer, check it for any externally visible damage.
Do not install or use a damaged appliance.
- ▶ Do not operate the appliance if the control panel, wires or cables are damaged.
- ▶ Do not damage, remove, or bypass any of the safety features and controls of the dryer.
- ▶ Do not operate the dryer when housing parts have been removed and the moving or electrical parts are exposed and accessible.
- ▶ Do not make any alterations to the dryer, unless authorized to do so by Miele.
- ▶ Be certain this appliance is properly installed and grounded by an authorized technician. For electrical safety this machine must be grounded $\underline{\underline{\perp}}$. It is imperative that this basic safety requirement be tested by a qualified electrician. Consult a qualified electrician if in doubt.

- ▶ Do not repair or replace any part of the appliance or attempt any servicing unless specifically recommended in these operating instructions. Contact Miele's Technical Service Department for assistance.
- ▶ Use only genuine Miele parts. Use of non-Miele parts may impair performance and void any guarantees.
- ▶ The dryer needs timely and professional maintenance to prevent performance loss, malfunctions and the risk of fire.
- ▶ Before installation or service, disconnect the power supply to the work area.
- ▶ Repairs to electrical and gas appliances should only be carried out by a Miele Service Technician in accordance with local and national safety regulations. Unauthorized repairs could cause injury or machine damage.
- ▶ The installation of this unit in non stationary locations (e.g. ships) must be performed by a qualified installer or service agency, in strict accordance with national and local safety regulations and standards.

IMPORTANT SAFETY INSTRUCTIONS

Correct use

- ▶ Do not let anyone sit or lean on the doors, as this can cause the dryer to tip. Danger of injury.
- ▶ Always close the door after loading or unloading the dryer, to prevent:
 - children from climbing into the dryer, or hiding small items in the dryer.
 - small animals from climbing into the dryer.
- ▶ Empty all pockets so that no flammable items such as lighters, matches, candles and cosmetics end up in the dryer.
- ▶ Always make sure the drum is stationary before reaching in to remove laundry. Never put your hand into a drum that is still moving.
- ▶ Take care not to pinch or cut your fingers on the hinges of the drum door or lint flap. Use the handles.
- ▶ The area necessary to open the drum door completely must not be obstructed by doors or other structures.
- ▶ Do not use a power washer to clean the dryer.
- ▶ Keep the area around the exhaust opening (toekick) and adjacent surrounding areas free of lint, dust and dirt.
- ▶ Operate the dryer only if an exhaust air duct is connected and the room is adequately ventilated.

▶ The ducting must not be connected to

- a chimney or vent flue which is in use,
- or to ducting which ventilates rooms with fireplaces,
- or to chimneys being used by other appliances.

Smoke or exhaust fumes can cause poisoning.

▶ Check all parts of the extraction system on a regular basis (e.g. wall vent, external grille, bends in the ducting etc.) and make sure they are all free of any hindrance. A build-up of lint will prevent a free flow of air through the system. If the appliance is to be connected to an existing ducting system, this must be checked for suitability beforehand.

▶ Do not operate the dryer in a room where cleaning machines operate with solvents containing CFC. Vapors from combustion turn into hydrochloric acid which damages laundry and dryer. When operated in a separate room, there must be no air exchange possible. Make sure the dryer is supplied with clean fresh air only.

IMPORTANT SAFETY INSTRUCTIONS

▶ Adequate ventilation is essential to avoid the danger of asphyxia and toxic fumes where another appliance which also uses the room air (e.g. gas, oil or coal fired heater, continuous flow or other water heater) is installed in the same or an adjacent room.

To ensure safe operation, and to prevent gases given off by these appliances being drawn back into the room, an underpressure of 4 Pa is the maximum permissible.

Ventilation can be maintained by:

- air inlets in the external wall which cannot be closed or blocked, or
- by fitting a window contact switch which ensures that the appliance can only be operated when the window is open.

If in doubt, contact Miele Technical Service.

▶ When installing multiple dryers to one collective exhaust duct, a non-return flap per dryer must be installed directly to the collective duct. Otherwise the dryers could be damaged and the electrical safety affected.

▶ A build-up of lint will block the airflow, heating and ventilation, which will impair the efficiency of the dryer. Be sure to clean the lint filter before or after each load.

▶ Do not use the dryer without the built-in lint filter in place. **Fire hazard!** If the lint filter is damaged it must be replaced immediately.

▶ The dryer must not be used without the lint filters in place or if the lint filters are damaged in any way. Damaged filters can cause operational faults and blockages in the airways, the heating elements and in the ducting.

Fire hazard!

In the event of a damaged filter, turn the appliance off and replace the filter with a new one.

▶ Do not install the tumble dryer stack in a room where there is a risk of frost occurring. At temperatures around freezing point the appliance may not be able to operate properly.

The ambient room temperature should be between +36°F (2°C) and +122°F (50°C).

▶ The appliance is not intended for outdoor use.

IMPORTANT SAFETY INSTRUCTIONS

► To prevent the risk of fire, the following textiles **must not** be dried in this appliance:

- items which have not been washed.
- items, such as workwear, which have not been thoroughly cleaned and which are still soiled with grease, oil or other substances (such as cosmetics, lotions etc).
If items have not been thoroughly cleaned there is a danger that these might ignite when heated, even after they have been removed from the dryer at the end of the program.
- items that have been previously cleaned, washed, soaked or spotted with gasoline, dry-cleaning solvents, wax, wax remover, chemicals for buffing (e.g. mops and floor cloths) or other flammable or explosive substances. They may give off vapors that could ignite or explode.
- items which have been spattered with hair spray, nail polish remover or similar substances.

► When washing such heavily soiled items ensure that you use sufficient detergent and select a high temperature. If in doubt, wash the items several times.

► To prevent the risk of fire, the following articles or items must not be dried in this dryer:

- items which have been cleaned using chemicals (e.g. professional dry-cleaning agents).
- fabrics which contain a large amount of rubber, foam rubber or rubber-like materials. For example, products made from latex, shower caps, waterproof textiles, rubberized articles, and items of clothing and pillows with foam rubber filling, or similarly textured rubber-like materials.
- which contain padding or fillings (e.g. pillows, jackets). If these were damaged the filling could get out with the risk of igniting in the dryer.

IMPORTANT SAFETY INSTRUCTIONS

▶ With sensitive fabrics there may be a danger of them **spontaneously combusting** if dried too long. Immediately remove the laundry at the end of the drying program and after a power failure.
Keep a fire extinguisher near the dryer. The laundry must not be removed from the dryer until the **cooling down phase** has been completed.
If hot laundry items are stacked or packed they could spontaneously combust.

▶ Warning: Do not switch the appliance off before the end of the drying program. If this was done and the laundry was then removed immediately it could give off a great amount of heat.

▶ Fabric softener and similar products must be used according to the instructions on the manufacturer's packaging.

▶ Never use or store gasoline, petroleum-based substances or other easily flammable substances near the machine. **Fire and explosion hazard!**

▶ Do not allow air contaminated with chlorine, fluorine or other vapors containing solvents to get into the dryer. Fire hazard.

▶ Disinfection and cleaning agents often contain chlorine compounds. If these agents dry on stainless steel it will cause it to rust. To protect the dryer use only chlorine-free disinfection and cleaning agents for laundering and disinfecting, and for cleaning the stainless steel surfaces. If in doubt about a cleaning agent, contact the manufacturer.

Aggressive vapors containing chlorine can also be corrosive. Do not store containers of these agents near the appliance.

▶ Remove the door to the drying compartment before the appliance is removed for service or discarded

Accessories

▶ Only use genuine Miele original spare parts and accessories with this appliance. If spare parts or accessories from other manufacturers are used, this will invalidate the guarantee, and Miele cannot accept liability.

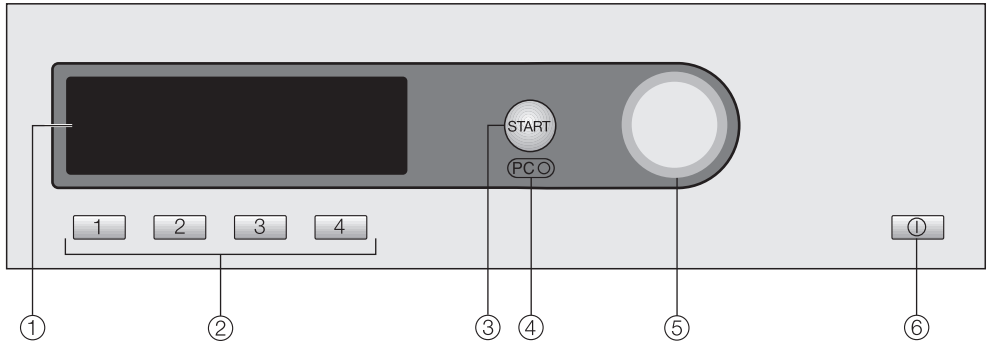
Disposing of your old machine

▶ Before disposing of an old machine it is important to disable the door lock. This way you will prevent the risk of children accidentally locking themselves in and endangering their lives.

SAVE THESE INSTRUCTIONS

Guide to the tumble dryer

Control panel



① Display

See the following pages for more information.

② Direct select buttons (keys)

For selecting an individual program quickly. These buttons can be programmed to select your own favorite drying programs.

③ Start button

④ PC / optical interface

This is used by service technicians to run diagnostic checks on your tumble dryer, and can also be used to update programming data in the future.

⑤ Jog shuttle

This is used to select menu options (by turning it) and to confirm your selection (by pressing it).

⑥ On/Off button ①

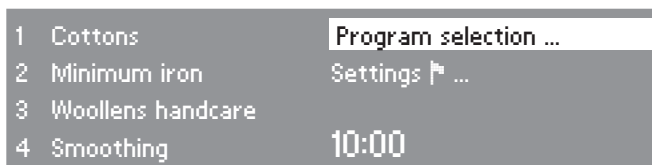
Before using for the first time

Before using the tumble dryer for the first time, ensure that it is correctly installed and connected. See "Installation and connection".

To commission the tumble dryer follow the instructions in the separate booklet "Commissioning, Program chart and Settings".

Display

Main menu



When the tumble dryer is switched on, the main menu (with four favorite programs listed) appears with *Program selection* highlighted.

Jog shuttle

Turning the jog shuttle moves the highlighting to the next option.

Pressing the jog shuttle selects the highlighted option.

Direct select buttons

Pressing a shortcut button selects one of the four favorite programs shown on the left of the display.

If you wish to change the programs shown in this list you can do so (see "Selecting a program - Saving a program as a favorite" for more information).

The direct select buttons have different functions in the other menus. Where this is the case, an arrow ▼ will appear in the display above the shortcut button, together with a description of its function .

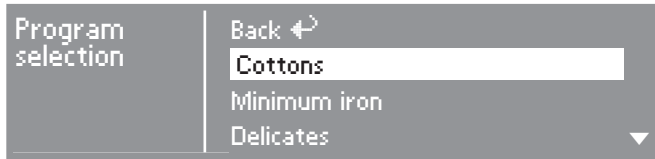
Program selection

There are two ways of selecting a program:

- Option 1: Select the *Program selection* menu in the display and confirm your selection by pressing the jog shuttle.
- Option 2: Press shortcut button or . This will automatically take you into the main menu for that program.

Guide to the tumble dryer

Program selection menu



You can use the jog shuttle to select any program. The highlighting will move up or down depending on the direction the jog shuttle is turned in.

The ▼▲ arrows on the right of the display, indicate further options.

Pressing the jog shuttle takes you to the main menu of the programme selected.


Drying program main menu



- Turn the jog shuttle to highlight either the "Drying level" or the "Program".
- Pressing the jog shuttle selects the highlighted option and opens the relevant sub-menu.
- *Low temperature* and *Timer* can be selected by pressing direct select buttons 1 or 2.
- To go back to the main menu press shortcut button 4.

Alternatively, you can also highlight and confirm all options by just using the jog shuttle.

Settings menu

The *Settings* menu  is used to alter the tumble dryer's electronics to suit different requirements. See the separate booklet "Commissioning, Program chart and Settings" for further information.

Operating the tumble dryer

The main menu will vary depending on the *Controls* setting selected.

- The dryer is operated either with shortcut keys , , , or the multi-function selector.

WS-shortcut keys, basic

1	Cottons	Normal+
2	Minimum iron	Normal
3	Woollens handcare	
4	Cool air	

4 programs are available to choose from. To specify which programs are available go to the *Settings/supervisor level* menu.

WS-shortcut keys + Logo



12 drying levels and timed programs are available to choose from. To specify which programs are available go to the *Settings/supervisor level* menu.


WS-shortcut keys, ex/int time










4 timed programs with different temperature levels are available to choose from. To specify which programs are available, go to the *Settings/supervisor level* menu.

Tips

1. Sort the laundry

 Not all fabrics are suitable for drying in a tumble dryer. Check the manufacturer's instructions on the fabric care label.

Garment care label symbols


Drying	
	Normal/higher temperature.
	Reduced temperature: Select <i>Low temperature</i> (for delicate textiles).
	Do not tumble dry.
Ironing	
	Very hot.
	Hot.
	Warm.
	Do not iron.


Before drying

- Wash heavily soiled items very thoroughly, ensuring that you use sufficient detergent and select a high temperature. If in doubt, wash the items several times.
- Do not put soaking wet items into the tumble dryer. Make sure that your laundry is thoroughly spun before drying.
The higher the spin, the greater the savings that can be made in energy and time during drying.

- New dark-colored garments should be washed and dried separately from light-colored garments the first few times they are washed, to avoid the risk of colors running and discoloring other garments or even the plastic components in the tumble dryer.
Dark-colored fibers can also settle on light-colored garments and vice versa.
- Starched laundry can be dried in the tumble dryer. To achieve the usual finish, double the amount of starch should be used.
- Check the seams of padded or down-filled items to prevent the risk of fillings coming out. These could catch fire in the tumble dryer.
- Tie together textile belts and apron ties to stop them getting tangled.
- Fasten . . .
. . . duvet covers etc. to prevent small items from being trapped inside them. . . , hooks and eyes etc.
- Stitch in or remove loose underwire from bras.
- Leave jackets open and undo any long zips so that textiles dry evenly.
- For an even drying result, it is important to . . .
. . . spin,
. . . shake out,
. . . and sort items according to fabric type, size, care label and the drying level required.


2. Load the tumble dryer

 Using the tumble dryer incorrectly could cause a fire. Read the "Warning and Safety instructions" before using the tumble dryer.


 Make sure that objects, e.g. detergent dispensing balls, have been removed from the laundry. They could melt and cause damage to the dryer or the laundry.

- Do not overload the drum. Overloading can cause unnecessary wear and tear to the laundry, give a disappointing drying result and cause more creasing.
- To save energy, always observe the maximum load for each program (see the separate booklet "Commissioning, Program chart and Settings").
- Minimum iron fabrics tend to crease more the greater the load. This is also the case for garments made from very fine weave fabrics, such as shirts or blouses. If necessary, reduce the size of the load for these types of fabrics.

3. Select a program

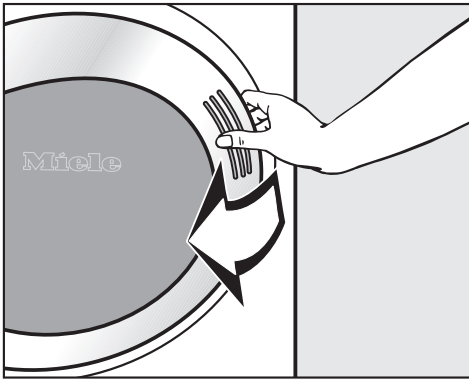
- On many programs, different drying levels can be selected depending on individual requirements. . . . e.g. *Normal+* for laundry that you want to fold and put away immediately after drying. . . . e.g. *Machine iron* or *Hand iron* if the laundry needs further processing after drying, e.g. machine ironing. See separate booklet "Commissioning, Program chart and Settings".
- For delicate fabrics with the  care label, select *Low temperature* as well.
- Down-filled garments have linings which have a tendency to shrink, depending on the quality of the item. They can be partially dried using the *Smoothing* program.
- Pure linen should only be machine dried if specified as suitable by the manufacturer on the care label, as the surface of the fabric may otherwise become rough. They can be partially dried using the *Smoothing* program.
- Woollens and wool blends tend to become matted and shrink if dried in a tumble dryer. Only dry these fabrics in a *Woollens* program.
- Loop knit materials tend to shrink. Over-drying increases this effect. Do not use the highest dry program for such fabrics.

Quick Guide

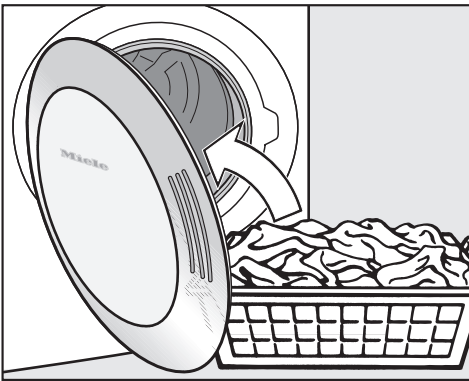
 It is very important to read the "Tips" section before proceeding.

① Sort the laundry

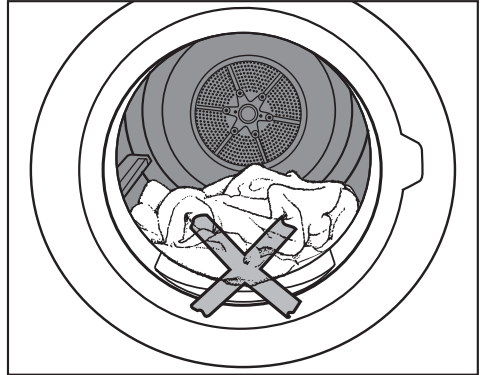
② Load the tumble dryer




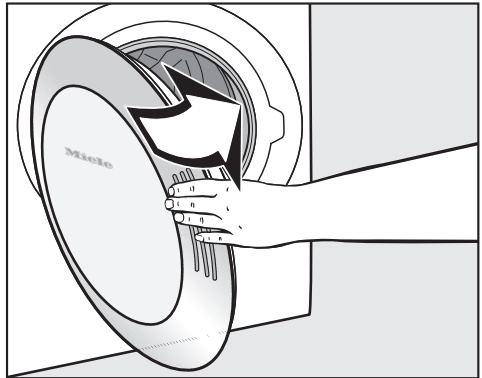
■ Open the door.



■ Load the drum.



 Before closing the door, check that no items are caught in the door opening. This may damage the items.



■ Shut the door either with a gentle swing.

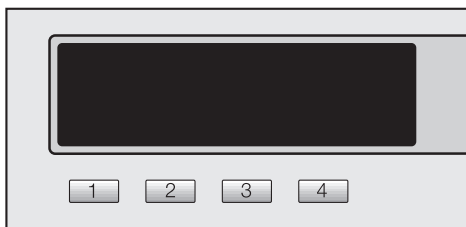
③ Select a program

- Turn the dryer on by pressing the *On/Off* (ⓘ) button in.

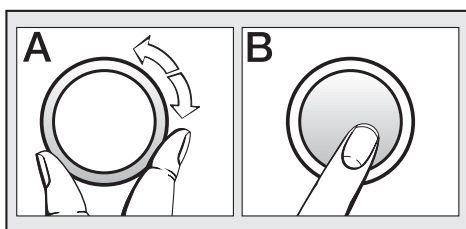
Program chart

- See separate booklet "Commissioning, Program chart and Settings".

You can select a program either by:



1. using the appropriate shortcut button to select one of the four programs listed in the display ("favorites"), or



2. selecting a program from the *Program selection* menu (turn **A** and press **B**).

Select *Low temperature* or *Timer* if required

- If required, you can then select *Low temperature* and/or the *Timer* (Delay start time) from the relevant sub-menu.

Payment system

If your tumble dryer has a payment system, the amount of credit required will appear in the display.

Opening the door or canceling the program after it has started may cause loss of credit (depending on how the tumble dryer was set up).

④ Start the program

The *Start* button will flash as soon as a program can be started.

- Press the *Start* button.

The *Start* button will now light up.

- *Prog. running* will appear in the display, followed by *Drying* and the program duration.
- With sensor drying programs the drying level reached e.g. *Machine iron ... Hand iron...* etc. will appear in the display later on.

Once drying is in progress, you can press one of the direct select buttons:

- Button **2** *Timer* to call up the current time of day and the estimated end time of the program.
- Button **3** *Save* to save the current program as a favorite.
- Button **4** *Cancel* to cancel the current program.

Quick Guide

Program duration/Estimated time remaining

When a program is selected, the estimated duration will appear in the display. Please be aware that it is only an estimate!

The following factors all affect the estimated time remaining: residual moisture content after spinning; type of fabric; size of load; room temperature; fluctuations in power supply.


The electronics assess conditions in the appliance and adjust the estimated time remaining for a more accurate reading. Because of this, the time displayed can alter during the course of a program.

Before the end of a program

In many programs the heating phase is followed by the cooling down phase: *Cooling down* will appear in the display. The program is not finished until the cooling down phase has been completed.

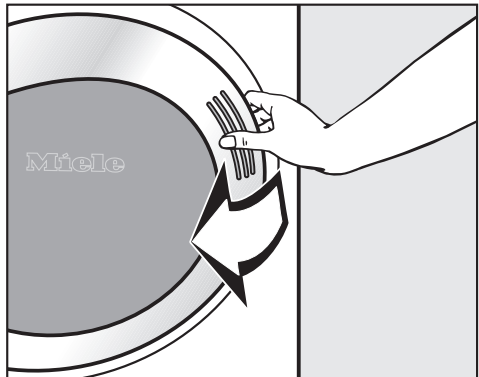
Do not switch the tumble dryer off before the drying program has finished.

⑤ Remove the laundry when the program has finished

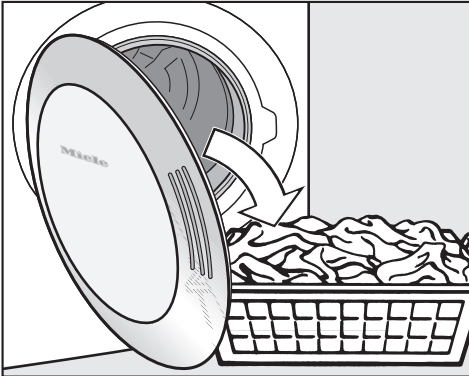
 The laundry must not be removed from the dryer before the drying program has finished. The cooling down phase must be completed. If hot laundry items are stacked or packed they could spontaneously combust.

Anti-crease (if selected) and *Finish* will appear in the display to indicate that the program has finished.

During the anti-crease phase the drum will continue to turn at intervals until the laundry is removed. This helps to prevent laundry creasing.



- Open the door.



- Remove everything from the drum.

Check that all items have been removed from the drum. If items are left in the dryer, they could be damaged by over drying when the dryer is next used.

The drum lighting will come on when the door is opened. It will go out a few minutes later to save energy.

- Switch the dryer off by pressing the *On-Off* ⏻ button.
- Close the door.

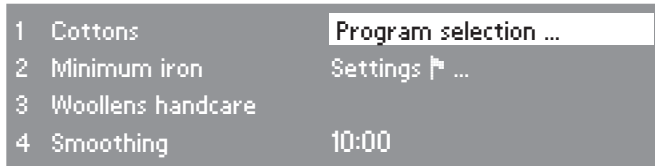
Maintenance after each drying program

- Please see "Cleaning and care" for details.

Selecting a program

Selecting/changing a program

Main menu



- Press shortcut button .

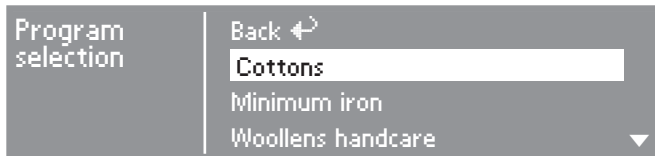
Main menu



- By turning the jog shuttle you can then highlight the following options in the display: Program (*Cottons*) or the drying level (*Normal*), and confirm your selection by pressing the jog shuttle.

Depending on the option highlighted, the following will be displayed:

– Program selection



- Use the jog shuttle to select the program you want, and confirm your selection. The main menu will reappear.

Selecting a program

Note: If you do not make a selection in the sub-menu within approx. 20 seconds, the display will revert to the main menu.

– Programs with drying levels



- Use the jog shuttle to select the drying level you want, and confirm your selection.
- The display will show which drying levels can be selected for each individual program.

– Programs where the time can be altered



- You can increase or decrease the duration of the program* using the jog shuttle.

The program end time for the duration selected will also appear.


* If the tumble dryer has a payment system, the maximum duration for a program is set during the commissioning process under the controls option *WS-shortcut keys, ex time/int time*.

– Other programs

You cannot alter the drying level or duration for the other programs.

Selecting a program

Low temperature

Select *Low temperature* for all delicate or minimum iron fabrics with the  care label (e.g. acrylic garments).

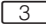
- Delicate fabrics are dried at a lower temperature.
- The program duration is longer.

■ Press shortcut button  *Low temp.*

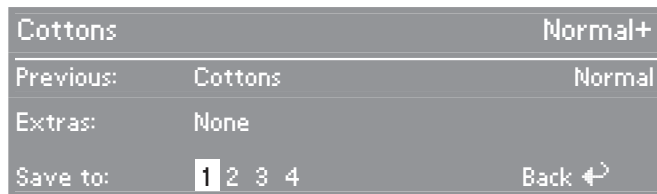
Saving a program as a favorite

You can program the direct select buttons to call up the four most frequently used drying programs. The *Save* option must be activated via the *Settings/Supervisor level* menu before the direct select buttons can be programmed.



■ Press shortcut button  *Save*.

Selecting a shortcut button



■ Use the jog shuttle to select the number you want to save the program to, and confirm your selection. Your settings have now been saved and the favorite program will appear in the main menu.

Repeat the procedure if you want to customize other favorite programs, and save them to short cut buttons which have not yet been used.

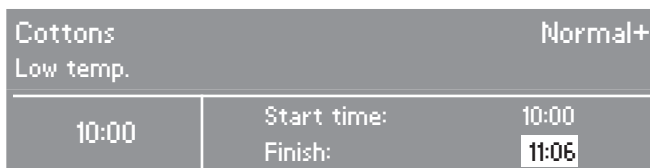
Depending on the *Delay start* setting, you can use the Timer to set the time you wish a program to finish or start at, or you can delay the start of the program.

To open the Timer sub-menu



- Use shortcut key **[2]** *Timer* to open the *Timer* sub-menu.

To select a delay start time



- Select the time required (in 30 minute steps) using the jog shuttle, and confirm.

The start and finish times will now be postponed by the time inputted. The maximum time that an automatic program start can be delayed by is 24 hours.

To start the timer

- Press the *Start* button.

The timer will count down in minutes until the start of the program. If the delay start time selected is more than one hour, the drum will turn briefly every hour to prevent creasing.

To cancel the timer

- Press shortcut button **[4]** *Cancel*.
- The program can now be started.

Changing the program sequence

Payment system

Opening the door or canceling the program after it has started, may cause loss of credit (depending on how the tumble dryer was set up*).

* Either during the commissioning process or subsequently, a Miele service technician can re-set the payment system so that programming changes can be made.

Once a program has started

- changing the program

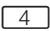
You cannot change to another program once a program has started (this prevents unintentional alterations).

You will need to cancel the current program before you can select a new one.

- canceling the program


- Press shortcut button  *Cancel*.

On some programs, laundry will be cooled down if a certain temperature has been reached.

If shortcut button  *Cancel* is pressed again, *Finish* appears in the display.

- Open the door.
- Close the door.
- Immediately select the program you want, and then start it.

Adding or removing laundry after a program has started

 The laundry, the drum and the back of the tumble dryer all become very hot during operation. Take care when in the vicinity of the appliance, when opening the door and handling freshly dried laundry. Danger of burning.

- Press shortcut button  *Cancel*.

On some programs, laundry will be cooled down if a certain temperature has been reached.

- Only open the door once the laundry has cooled down completely.
- Add or remove items as required.
- Close the door.
- Select a program.
- Press the *Start* button.

Power cuts

If the dryer is switched off during a drying program or there has been a power cut:


- When the power is restored and/or the dryer is switched on again, confirm with OK and start the program again.

Time remaining

The time left shown in the display may now vary from the actual drying time.

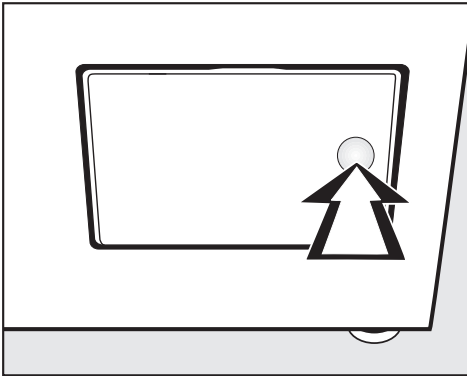
Cleaning the lint filter

Lint from items being dried is collected by a two-part cartridge lint filter in the ducting. This needs to be removed and taken apart for cleaning.

 The lint filter should be checked and cleaned regularly, but always clean immediately if the *Clean out airways* message comes up in the display.

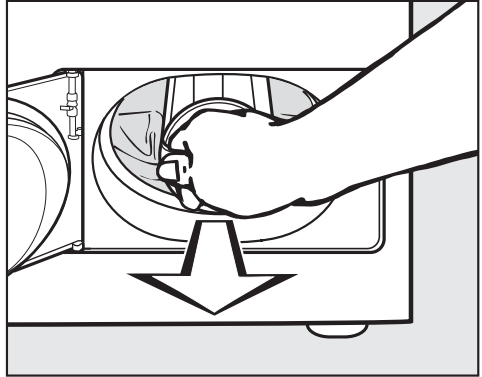
Note: You can also use a vacuum cleaner to remove the lint.

Removing the filter



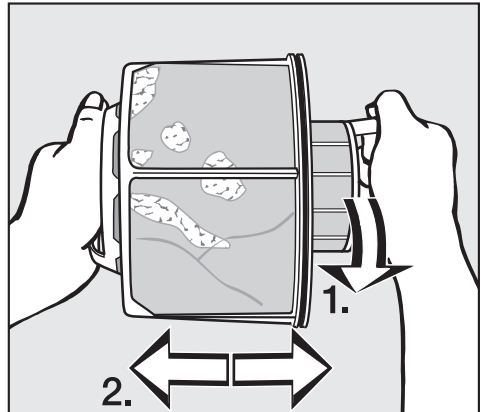
- Press on the right hand side of the access panel to the lint filter housing to open it.

Do not turn the handle on the lint filter, as this will cause the lint filter to come apart (see below).



- Pull the filter out by the handle.

Taking the filter apart

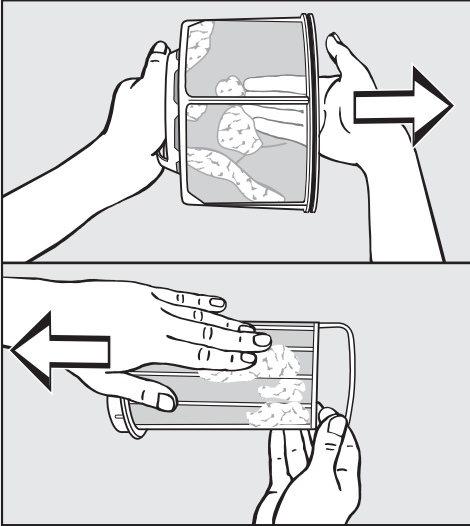


- Hold the lint filter firmly by the handles on either side, as shown.
- 1. Twist the inner section of the lint filter, as shown.
- 2. Pull the two sections of the lint filter apart.

Cleaning and care

Cleaning the filter while dry

The lint filter can be hygienically and easily cleaned using a vacuum cleaner.



- Remove the lint with your fingers, or use a vacuum cleaner.

Cleaning the lint filter with water

If there is a great deal of compacted lint on either part of the filter, they can be cleaned under hot running water.

⚠ Dry the two sections thoroughly before reassembling them. A damp or wet filter could cause operational faults when the dryer is switched on.

Replacing the filter

⚠ If there is a heavy build-up of lint in filter housing, the filter housing should also be cleaned before the clean filter is replaced. See the next page for further details.

- Reassemble the inner and outer sections of the filter.
- Slowly turn the inner section of the filter clockwise until you hear it click.
- Hold the filter by the handle, and push it into its housing until it clicks into place.

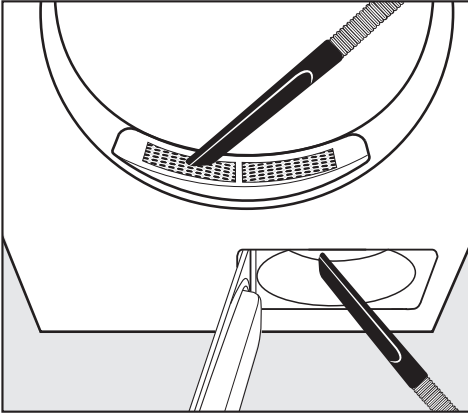
Do not turn the handle while you are pushing it back in, or the filter will come apart.

- Close the access panel to the filter housing.

Cleaning the filter housing

The filter housing should be checked from time to time, and cleaned when there is a build-up of lint there.

Quick cleaning



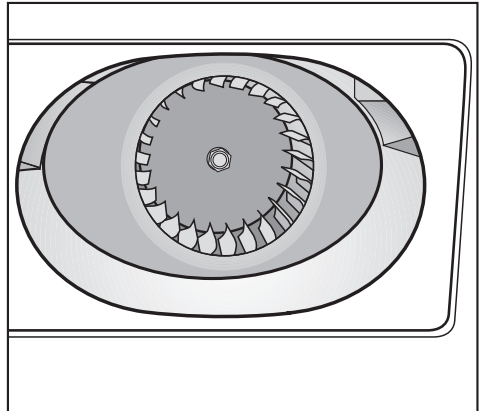
- Use a vacuum cleaner to remove the lint
 - from the cover in the door opening (above), and
 - from the area in front of the fan (below) if the lint filter has been removed for cleaning.

Extra cleaning

– Fan

The fan behind the filter access panel can become clogged with detergent residues and lint.


Check the fan from time to time, and clean it if it becomes clogged.



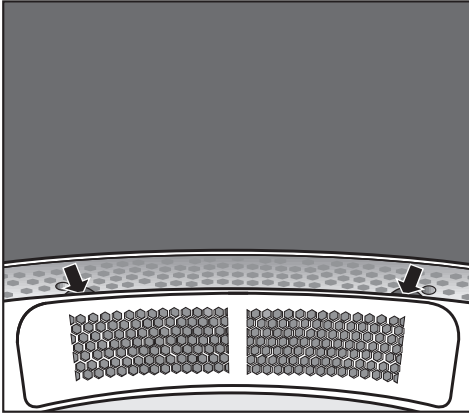
- Using a damp cloth, carefully clean residues from the impeller.
- At the same time, clean the area in front of the impeller.
- Clean away lint using a vacuum cleaner.
- Remove any lint from the inside of the open access panel and the rubber seal, taking care not to damage the seal.

Cleaning and care

– The cover in the door opening

 The cover in the door opening should only be removed if it becomes severely clogged.

- Look inside the drum.



- Feel under the edge of the cover at the back* (see arrows) and pull the cover up and out.

* You can use the two screws supplied to stop the cover being removed inadvertently. See instructions below.

- Clean the filter area underneath the cover using a vacuum cleaner.
- Clean the cover.
- Open the access panel to the filter housing, and clean the area in front of the fan.

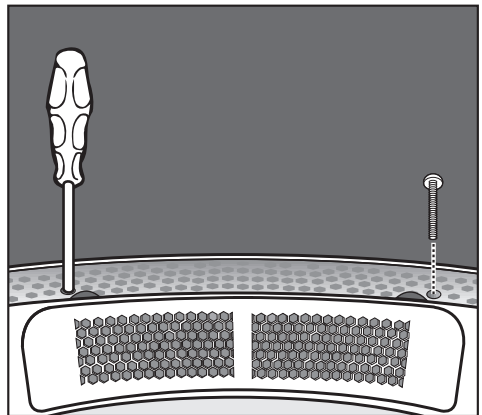
Replacing the cover

- Fit the cover to the left or right hand side of the door opening,
- then press the cover down until it clicks into place on both sides.

Securing the cover


The cover can be secured using the two screws supplied to prevent it being removed inadvertently. The screws must be secured inside the drum.


- Look inside the drum.




- Screw the torx screws into the round holes on the left and right underneath the cover, as shown.

Cleaning the tumble dryer

 Disconnect the tumble dryer from the mains electricity supply.


 Do not use solvents, abrasive cleaners, glass cleaners or all-purpose cleaners. These could damage plastic surfaces and other parts.

 The tumble dryer must never be hosed down.




- Clean the housing and the control panel with a slightly damp cloth and a mild detergent or soapy water.
- The drum and other stainless steel parts can be cleaned with a suitable proprietary stainless steel cleaner following the manufacturer's instructions.
- Dry all parts with a soft cloth.

Frequently asked questions




With the help of the following notes minor faults in the performance of the appliance, some of which may result from incorrect operation, can be put right without contacting the Service Department.

 Repairs to electrical appliances must only be carried out by a qualified and trained technician in accordance with local and national safety regulations. Unauthorized repairs could cause injury or machine damage.

Check and fault messages in the display

Problem	Possible cause	Remedy
 Adjust the load The drum is empty or the laundry is too dry.	This is not a fault. In some programs, if the drum has been overloaded or underloaded, the program will be canceled. This can also happen if the items are already dry.	Use the Hot air program (timed drying) to dry individual items. To delete the message: <ul style="list-style-type: none"> – Open the door.
 Technical fault If restart is unsuccessful, call Service. A fault number (e.g. F43) might also be displayed.	A program cannot be started while there is a fault message in the display.	<ul style="list-style-type: none"> – Make a note of what is shown in the display. – Try to start the program again.
 Power failure Program stopped Press OK button	The dryer was switched off during a drying program or there has been a power cut:	<ul style="list-style-type: none"> – When the machine is switched on again and/or the power is restored, confirm with <i>OK</i> and start the program again.

Frequently asked questions

Problem	Possible cause	Remedy
 Clean out airways Clean the filters Check ducting. appears after a while.*	Reminder to clean the filter.	<ul style="list-style-type: none"> – Clean the lint filter. To delete the fault message: <ul style="list-style-type: none"> – Confirm with <i>OK</i>.
 Clean out airways Clean the filters Check ducting. appears at the end of a program.*	There is a blockage in the ducting system.	<ul style="list-style-type: none"> – Clean the lint filter. – Check all possible causes given under "The drying process goes on too long or even switches off." To delete the fault message: <ul style="list-style-type: none"> – Open and close the door.
	The vent ducting may be very long, which does not constitute a fault.	<ul style="list-style-type: none"> – If very long ducting is used, then program times will be longer and energy consumption higher.
 Clean out airways Clean the filters Check ducting. F66 appears after a program has been canceled.	There is a very severe blockage in the ducting system.	<ul style="list-style-type: none"> – See above. To delete the fault message: <ul style="list-style-type: none"> – Confirm with <i>OK</i>.

*** You can adjust the setting which controls if or when the check message appears:**

See "Clean the filter" and "Clean out airways" in the "Settings/Supervisor level menu" section in the separate booklet "Commissioning, Program chart and Settings".

Frequently asked questions

An unsatisfactory drying result		
Problem	Possible cause	Remedy
The laundry is not sufficiently dry.	The load consisted of different fabrics.	<ul style="list-style-type: none"> – Finish drying using the Hot air program (timed drying). – Next time, select a more suitable program (see "Program chart" in the separate booklet "Commissioning, Program chart and Settings").
Feather filled pillows smell after drying.	Feathers are a natural product and this is quite normal.	The smell will dissipate after sufficient airing.
Items made of synthetic fibers are charged with static electricity after drying.	Synthetic fibers tend to attract static charge.	Static charge can be reduced by adding a fabric conditioner to the final rinse in the washing program or a fabric conditioner sheet to the load when drying.
There is a build-up of lint.	Lint is principally the result of friction when garments are being worn and to some extent when they are being washed. Machine drying hardly causes any lint to form and has no appreciable effect on the lifetime of the fabric.	Lint is collected by the lint filter and can be easily removed (see "Cleaning and care").


Frequently asked questions

Other problems		
Problem	Possible cause	Remedy
The drying process goes on too long or even switches off.	You might be asked to clean the ducting system again.	Please check all possible causes, described below.
	The lint filter is blocked.	– Remove any lint.
	The filter housing is blocked with e.g. lint and hair.	– Clean the filter housing. – The cover in the door opening can be removed to facilitate the cleaning of the filter housing below.
	The vent ducting or the ventilation outlet is blocked with e.g. lint or hair.	– Check all parts of the vent ducting system on a regular basis (e.g. bends in the ducting etc.) and clean them if necessary.
	Ventilation to the dryer is insufficient (e.g. because it is installed in a room which is too small).	Open a door or window while the tumble dryer is in operation for increased air flow.
	The laundry has not been spun sufficiently.	Make sure that your laundry is thoroughly spun at the appropriate spin speed in the washing machine.
	The tumble dryer has been overloaded.	Do not exceed the maximum load for the program selected.
	Metallic components, e.g. zips, have prevented the dryer from registering the correct moisture level in the laundry.	– Open zips next time. If the problem occurs again, dry garments with long zips using the Hot air program (timed drying).

Frequently asked questions

Problem	Possible cause	Remedy
There is a build-up of condensed water in the drum.	There is more than one tumble dryer vented together.	<ul style="list-style-type: none"><li data-bbox="729 193 1042 352">– The dryer must only be connected to a joint ducting system if a non-return flap is in place.<li data-bbox="729 360 1042 480">– Check the non-return flap regularly for damage, and replace it if necessary.

Frequently asked questions

Problem	Possible cause	Remedy
The program does not start and the display is dark.	There is no power to the dryer.	<ul style="list-style-type: none"> – Is the dryer switched on? – Is the door closed properly? – Has the fuse or circuit breaker tripped? <p>When the power comes back on after a power cut, confirm with <i>OK</i> and start the program again.</p>
The display is dark and the <i>Start</i> button is flashing slowly.	The display has switched off automatically to save energy.	The display and the jog shuttle will light up when one of the buttons is pressed.
The display is in a different language.	A different language has been selected.	Set the language you want. The flag symbol  will guide you.
The <i>Start</i> button is flashing when a program is being selected.	The flashing indicates that a program can be started.	Once the program has started, the <i>Start</i> button stops flashing and lights up constantly.
The interior drum lighting does not come on.	The lighting switches off automatically (to save energy).	<ul style="list-style-type: none"> – It will switch on again after the door has been closed and then opened. – If the lamp needs to be replaced, follow the instructions in "Changing the lamp" at the end of this section.

Frequently asked questions

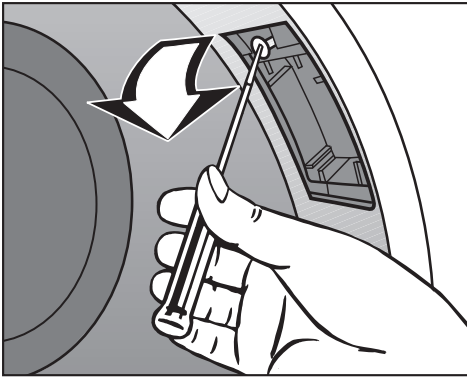
Changing the lamp

Disconnect the dryer from the mains electricity supply.

⚠ Ensure that it is fitted into position securely, as any moisture could cause a short circuit.

- ① Open the door.

The lighting is at the top of the door opening on the right-hand side.



- ② Remove the screw.
- ③ Lower the cover.
- ④ Replace the lamp.

The temperature resistant lamp should only be ordered from Miele.

⚠ The lamp specification and maximum wattage is stated on the data plate and on the lamp cover.

- ⑤ Raise the cover again.
- ⑥ Replace the screw.

Peak load cut-out

If the peak-load cut out function is activated the heating will switch itself off and any programme running will be stopped. The following message will appear in the display:

Cottons	Normal
Drying	0:43 h
Peak load	

Once the peak load has finished the programme will continue automatically as before.

Service interval

If after switching the machine the following message appears in the display the machine will need to be serviced by the Miele Service Department.



Press short cut button or wait approx. 5 seconds to return to the main menu.

After sales service

- In the event of a fault which you cannot correct yourself, please contact Technical Service.
- When contacting Technical Service please quote the model, serial number (SN) and part number (M.-Nr.) of the machine. Both are indicated on the dataplate.
- When contacting Technical Service report the fault in the display.

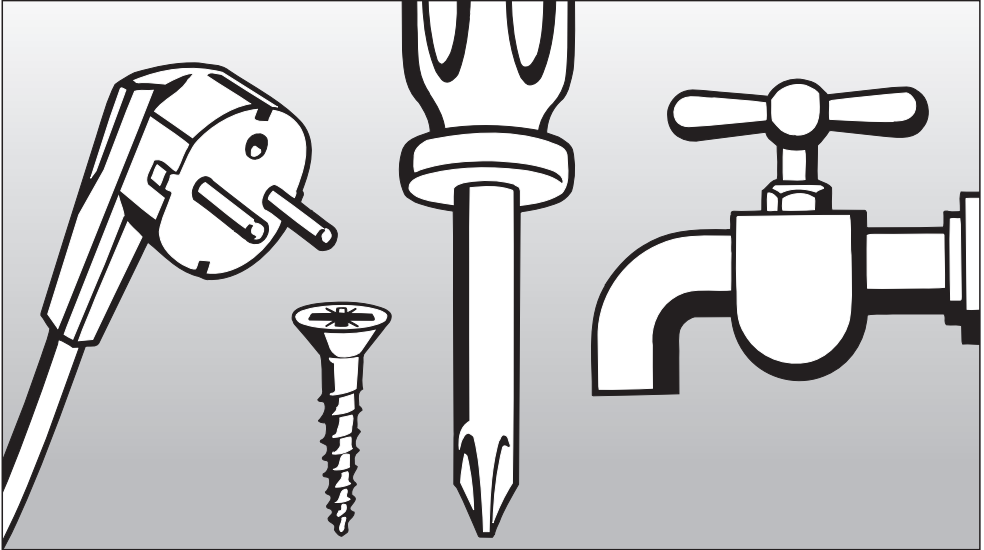
Only use original Miele spare parts when performing maintenance or repairs on this machine.

The **PC** indicator allows a service technician to check and update the drying programs.

The update allows future developments of fabrics, detergents and drying programs to be incorporated into the machine's electronic control.

Optional accessories

Optional accessories are available from Miele.

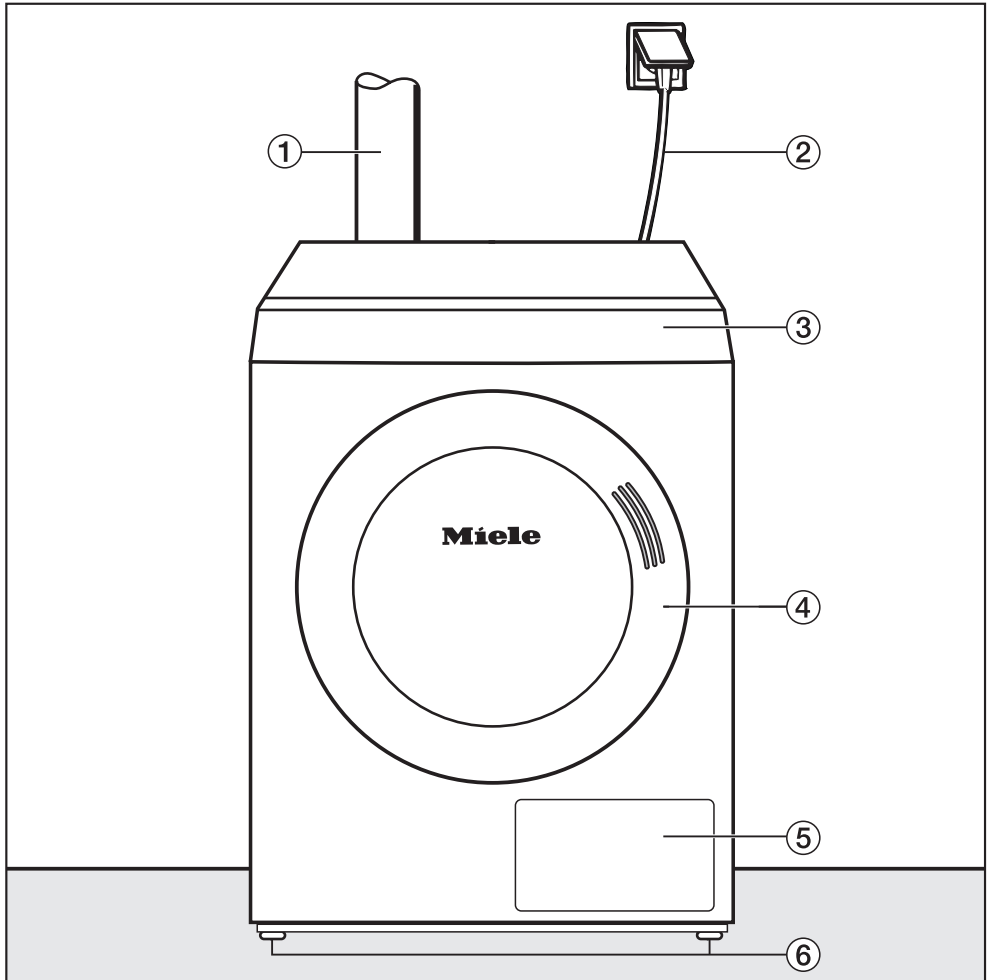


Installation Instructions

To prevent accidents
and machine damage
read these instructions
before
installation or use.

Installation

Front view



① Vent ducting

② Mains connection cable

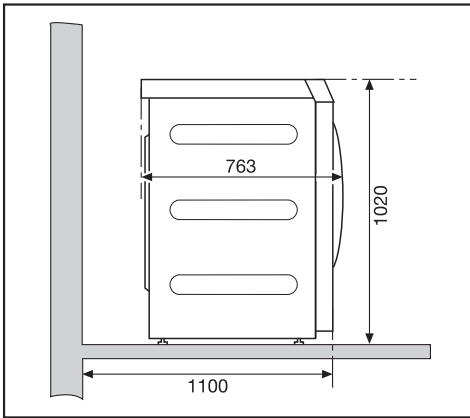
③ Control panel

④ Door

⑤ Filter access panel

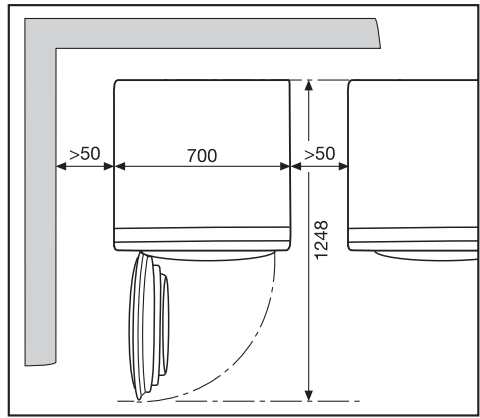
⑥ Four height adjustable screw feet

View from the side



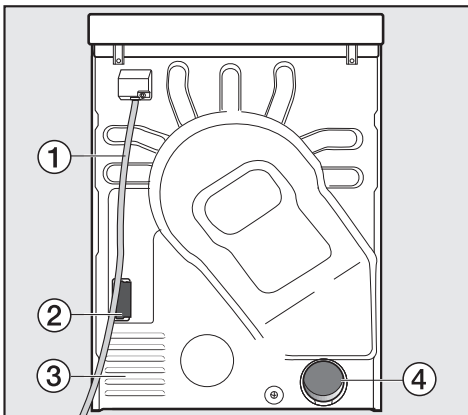
763 mm = 30 1/16"
1020 mm = 40 3/16"
1100 mm = 43 5/16"

View from above



50 mm = 2"
700 mm = 27 9/16"
1248 mm = 49 1/8"

Rear view



- ① Mains connection cable
- ② Slot for communication module
- ③ Air inlet vents
- ④ Exhaust socket \varnothing 4" (100 mm)

Installation on a raised plinth

A range of Miele plinths are available as optional accessories.

⚠ If the tumble dryer is to be installed on an existing plinth, the dryer must be secured against slippage (see below, under "Installing the tumble dryer").

Payment system

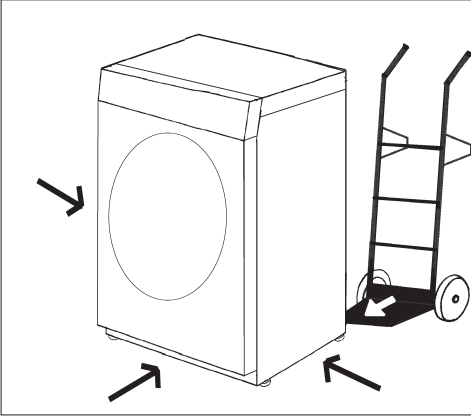
The dryer can be fitted with a Payment system (optional accessory). This must be connected and programmed by a Miele Service technician.

⚠ Coins / tokens must be removed from the coin box regularly, otherwise it will become blocked.


Installation

Installing the tumble dryer


Moving the tumble dryer

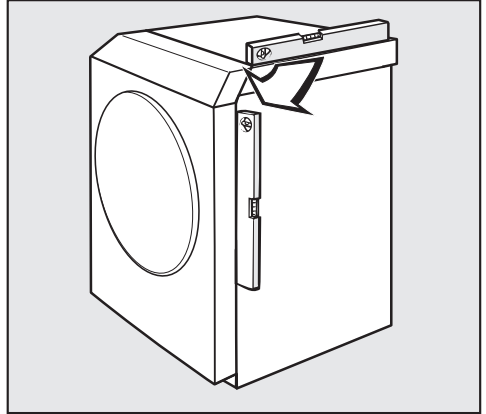



- Transport the tumble dryer to its installation site.

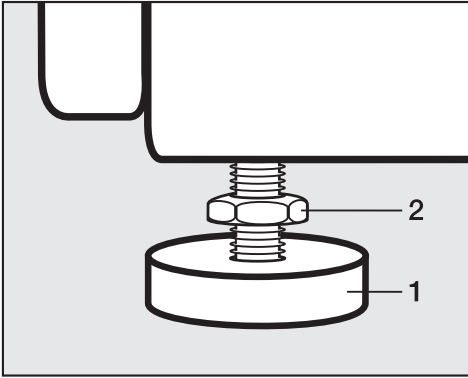
 Ensure the tumble dryer is stable during transportation.

Levelling the tumble dryer

 Make sure the dryer door can be opened without hindrance after installation.



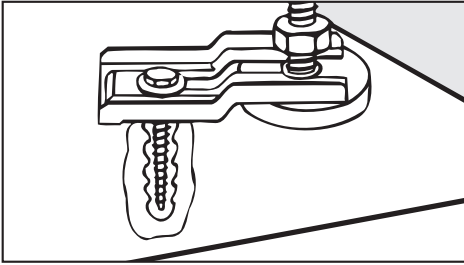
 The tumble dryer must be perfectly level to ensure safe operation.



- Loosen the screws (2).
- The screw feet (1) can be adjusted to compensate for any unevenness in the floor.
- Turn the screws (2) so that they are tight against the housing.

Installation

Securing the tumble dryer against slippage



⚠ In the following cases, the feet of the tumble dryer **must** be secured with clamps* (available as an optional accessory).

- **If it is being installed on an existing plinth.**
Instead of using clamps, all-round plinth edging in the area of the feet of the dryer may be sufficient.
- **When a venting system with plastic piping is used.**
- **When the tumble dryer is being installed on a mobile or off-shore installation.**


* Clamps are supplied with tumble dryers that are designed for off-shore installation.

Room ventilation


⚠ As the air required for drying is drawn from the room in which the dryer is installed, the room must be sufficiently ventilated, e.g. by vents in the outside wall which are permanently open.

⚠ The tumble dryer draws air in from the back. For this reason, an appropriate gap must be maintained between the back of the dryer and the wall (see "Installation positions"). Do not block the gap between the bottom of the tumble dryer and the floor with plinth facings, deep pile carpet etc. This would hinder a sufficient flow of air to the dryer.

Electrical connection


 This installation should be performed by an experienced and qualified technician, in accordance with local codes and regulations.

This machine is supplied with a connection cable without a plug for connection to a suitable connection socket or isolator switch.

 Before installation, make sure that the voltage and frequency listed on the data plate correspond with the site's electrical supply.


Connection to the electricity supply must only be carried out by a suitably qualified and competent person.

Connection should be made via a suitable connection socket or isolator which complies with local and national safety regulations and which is easily accessible for disconnecting the machine from the electrical supply. Provision must be made on site to switch off all poles. Switches with a minimum all-pole contact gap greater than 3 mm are suitable for isolating the machine. These include circuit breakers, fuses and relays.

 If the machine is disconnected from the electricity supply ensure adequate measures are taken to ensure that the machine cannot be reconnected to the electricity supply until all work has been carried out.

Should the connection cable require replacing or changes be necessary in the electrical installation including checking and/or replacing the fuse please make sure this is done by an approved electrician to ensure compliance with all local and national electrical safety requirements.


For extra safety, it is advisable to protect the machine with a suitable residual current device (RCD) with a trip current of 30 mA.


 This machine must be connected to a permanent electricity supply so that the door can always be opened. For this reason it must not be connected to devices such as timers which would switch it off automatically.

**WARNING:
THIS APPLIANCE
MUST BE GROUNDED**

Installation - extraction ducting

General


 The dryer must only run if the moist exhaust air from the drying process is conducted outside by an installed exhaust duct vent.

 Disconnect the dryer from the power supply during installation of the exhaust duct.

The dryer must be disconnected from the mains electricity supply while the ducting system is installed.

The venting outlet (e.g. in a wall) should be installed in such a way that the moist expelled air:

- . . . cannot be drawn back into the room in which the dryer is installed;
- . . . cannot cause any damage to the building or other nuisance.

 The room air, which is taken in when the dryer is in operation, is blown out via the exhaust vent. It is important, particularly if the room is small, to ensure adequate ventilation and air supply opening a window or installing unlockable ventilation openings in the wall., for example, will allow more air to enter the room. Otherwise drying times and energy consumption may increase.

Danger of suffocation by suction of exhaust fumes.

Ventilation can be maintained by:

- an open window,
- air inlets in the external wall of a minimum of 59 ft.² (150 cm²) which cannot be closed or blocked, or
- a window switch which prevents the dryer being used when the window is closed.

Avoid:

- very long ducting systems.
- too many tight bends or corners.

Otherwise the drying result will be less effective, and it will take longer and use more energy.

Suitable materials

- for the ventilation ducting:
flexible ducting* or plastic piping with a diameter of at least 4" (100 mm).
- for venting to the outside:
a wall vent kit* or a window vent kit*.

(* optional extras)

Installation - extraction ducting

To calculate the total duct length

Friction against the inner walls of the vent ducting will slow down the expelled air as it passes through the ducting. An elbow, bend, non-return flap or wall vent creates more friction than a straight duct. The friction created by each of these is expressed as an **additional duct length factor**. The additional duct length factors are calculated by comparing the friction created by, for example, an elbow to that created by 3' 3" (1 meter) of straight plastic piping (see Table 1).

The additional duct length factor for each item needs to be added together to ascertain the **total duct length** which will be needed for the venting system. The total duct length is a means of calculating the friction created by the venting system as a whole.

A larger **internal duct diameter** also helps reduce friction. If the total duct length is **more than 65' 7" (20 m)**, the duct diameter should be increased (see Table II).

Procedure

1. First measure the distance requiring straight ducting. Multiply this amount by the corresponding additional length factor in **Table I**.
2. Establish the number of angles, bends etc., and add their additional length factors together with the help of **Table I**.
3. Add all the additional length factors to give the total duct length.

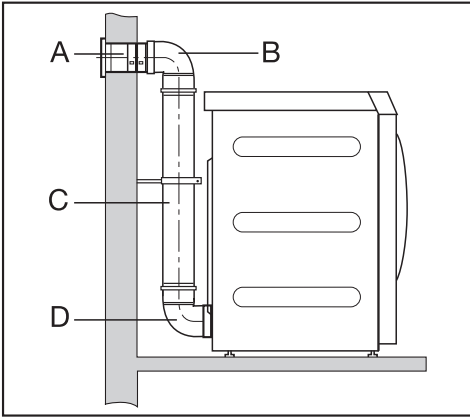
4. Refer to **Table II** for the appropriate duct diameter required.

Table I	
Component	Additional duct length factor
Flexible ducting*	
– 3'3" (1 m) laid <u>straight</u>	5' 10 7/8" (1.8 m)
– 45° angle Bend radius = 9 13/16" (0.25 m)	4' 11 1/16" (1.5 m)
– 90° angle Bend radius = 9 13/16" (0.25 m)	8' 2 7/16" (2.5 m)
Flexible aluminium ducting*/plastic piping	
– 3'3" (1 m) laid <u>straight</u> , or 3'3" (1 m) straight pipe	3'3" (1.0 m)
– 45° angle Bend radius = 9 13/16" (0.25 m)	1' 11 5/8" (0.6 m)
– 90° angle Bend radius = 9 13/16" (0.25 m)	2' 7 1/2" (0.8 m)
Wall vent kit* or window vent kit*	
– with louvred grill	12' 5 5/8" (3.8 m)
– with non-return flap (hinged flap)	4' 11 1/16" (1.5 m)
Non-return flap* (see "Venting more than one dryer via the same venting system")	46" 11" (14.3 m)
* accessory available to order	

Table II	
Maximum total duct length	Internal duct diameter required
65' 7 3/8" (20 m)	3 15/16" (100 mm)
131' 2 13/16" (40 m)	4 15/16" (125 mm)
262' 5 5/8" (80 m)	5 7/8" (150 mm)

Installation - extraction ducting

Calculation example



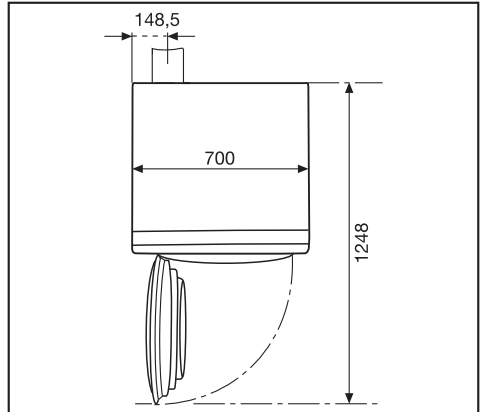
- A Wall pipe, with louvred vent**
 = 1 x 12' 5 5/8" (3.8 m) = 12' 5 5/8"
 Additional duct length (3.8 m)
- B/D 2 bends, 90°**
 = 2 x 2' 7 1/2" (0.8 m) = 5' 3"
 Additional duct length (1.6 m)
- C 1' 7 11/16" (0.5 m) plastic piping**
 = 0.5 x 3' 3" (1 m) = 1' 7 11/16"
 Additional duct length (0.5 m)

- Total duct length = 5.9 m**

Result: A duct diameter of 3 15/16" (100 mm) is adequate as the total duct length is less than the 65' 7 3/8" (20 m) specified in Table II.

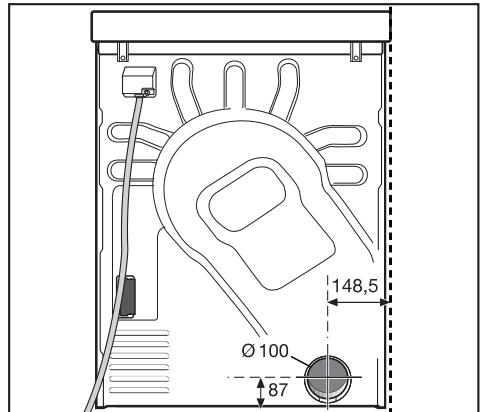
Exhaust socket dimensions

View from above



- 148.5 mm = 5 7/8"
- 700 mm = 2' 3 9/16"
- 1248 mm = 4' 8 1/4"

Rear view



- 148.5 mm = 5 7/8"
- 100 mm = 4"
- 87 mm = 3 7/16"

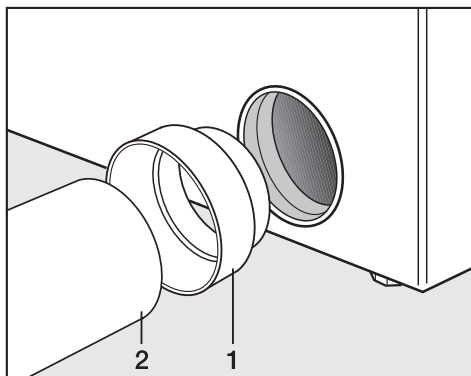
Venting system with plastic piping

Plastic piping can be fitted using an adapter.

The following items are required:

- an adapter.
- a wall vent kit* or window vent kit*.
- suitable plastic piping, available from your dealer or builders' merchant. Where the pipe diameter is more than 4" (100 mm), an adapter is necessary (e.g. 4"/100 to 5"/125 mm) to connect the pipe to the dryer.

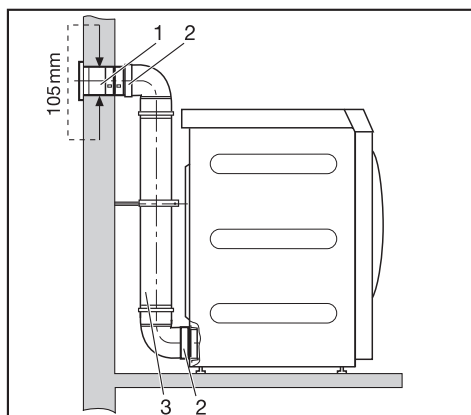
(* optional accessory)



- Fit the adapter (1) and pipe (2), as shown.

Secure the tumble dryer against slippage, e.g. with clamps.

Example: Wall vent



105 mm = 4 1/8"

1. Wall vent kit
(separate fitting instructions are supplied with the Miele wall vent kit)
2. Adapter
3. Plastic piping,
diameter DN 100

Installation - extraction ducting

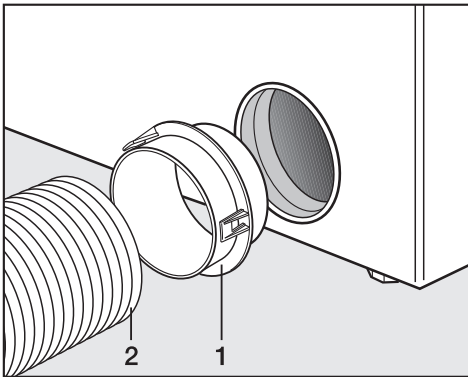
Venting system with flexible ducting

Flexible ducting can be fitted using an adapter.

The following items are required:


- an adapter.
- flexible ducting hose*
- a wall vent kit* or window vent kit*.

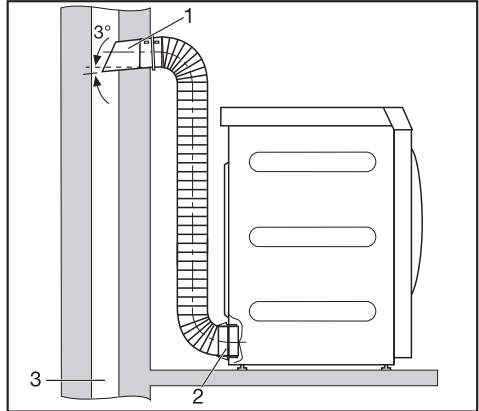
(* optional accessory)



- Fit the adapter (1) and flexible ducting hose* (2), as shown.

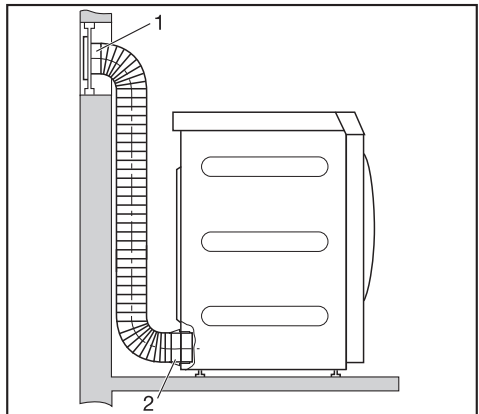
Example: Connection to an exhaust flue

 The exhaust air must not be vented into a chimney or vent flue which is in use, nor should it be connected to ducting which ventilates rooms with fireplaces.



1. Pipe with connection piece (= supplied with wall vent kit)
2. Adapter for flexible ducting hose
3. Exhaust flue insulated against damp

Example: Window vent



1. Window vent kit (fitted in a "plexiglass" pane) (separate fitting instructions are supplied with the Miele window vent kit)
2. Adapter for flexible ducting hose

Installation - extraction ducting

Venting more than one dryer via the same ducting system

⚠ For each dryer there **must** be one non-return flap **R** installed directly on the main venting duct. The items required for this are available as optional accessories (see right).

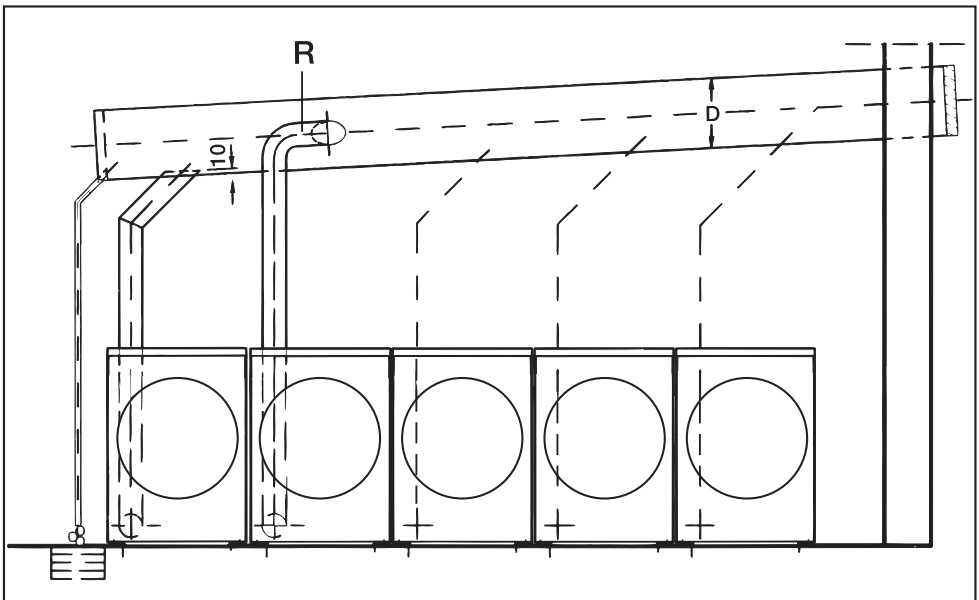
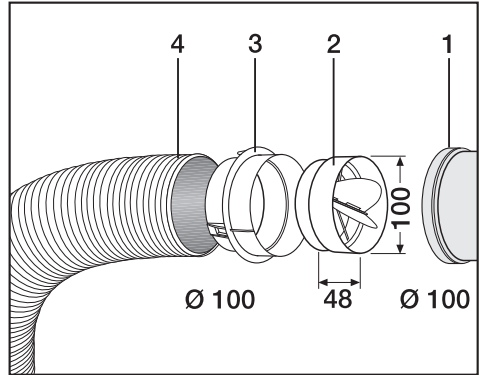
⚠ Otherwise condensation could trickle back into the dryer causing damage and endangering its electrical safety.

When installing 3 to max. 5 dryers, pipe diameter **D** must be increased.

Number of dryers	Magnification factor for the pipe diameter from Table II
3	1.25
4 - 5	1.5

- 1 Connection to the main venting duct
- 2 Miele non-return flap*
- 3 Additional Miele adapter*
- 4 Miele flexible ducting hose*

- Push the non-return flap (2) all the way into the adapter (3).



Technical data

Height	3' 4 3/16" (1,020 mm)
Width	2' 3 9/16" (700 mm)
Depth	2' 5" (763 mm)
Depth with door open	4' 1 1/8" (1,248 mm)
Weight	77 kg
Drum volume	180 l
Maximum capacity	8 kg dry weight
Length of connection cable	5' 3" (1,600 mm)
Voltage	See data plate
Connected load	
Fuse rating	
Lamp wattage	
Test certificates awarded	
Max. installed floor load	1000 N (approx. 220 lbs / 100 kg)
Product safety standard	see data plate
Noise level	< 70 dB (A)

Disposal of the packing material

The cardboard box and packing materials protect the appliance during shipping. They are environmentally friendly for disposal and can be recycled.

To prevent suffocation of children ensure that any plastic wrapping, bags, etc. are disposed of safely and kept out of the reach of children.

Please recycle.

Disposal of an old appliance

Old appliances may contain materials that can be recycled. Please contact your local recycling authority about the possibility of recycling these materials.

Ensure that the appliance presents no danger to children while being stored for disposal. Before discarding an old appliance, unplug it from the outlet, cut off its power cord and remove any doors to prevent hazards.

Energy saving tips

To avoid unnecessarily long drying times and high consumption of energy:

- Make sure that your laundry is thoroughly spun before drying. The higher the spin speed, the greater the savings that can be made in energy and time during drying.
- Load according to the optimum amount of laundry recommended for the program being used. Underloading is uneconomical. Overloading gives a poorer quality of drying, and may cause unnecessary creasing.
- Make sure the room in which the dryer is located is well ventilated.
- Clean the lint filter as necessary (see "Cleaning and Care").
- Check all parts of the ventilation system on a regular basis, and remove any build-up of lint etc.

The vent ducting should be as short, straight and smooth as possible to minimize any resistance to the air throughflow.

Please have the model and serial number of your appliance available before contacting Technical Service.

U.S.A.

Miele, Inc.

National Headquarters

9 Independence Way

Princeton, NJ 08540

Phone: 800-991-9380

609-419-9898

Fax: 609-419-4241

www.mieleusa.com

Technical Service & Support

Nationwide

Phone: 800-991-9380

Fax: 800-220-1348

proservice@mieleusa.com