

**TROUBLESHOOTING CHART:**

Problem	Cause	Solution
1. No discharge	a. No water b. Valve not open c. Eductor clogged d. Foamer/Sprayer pivot not in proper location	a. Open water supply b. Trigger not fully depressed c. Look for obstruction, remove if possible d. Rotate to stops, top or bottom
2. No concentrate draw	a. Clogged foot strainer b. Metering tip or eductor has scale build-up c. Low water pressure  d. Switch in "OFF" position e. Air leak in chemical pick-up tube f. Clear plastic tip installed in inlet pick-up stem	a. Clean or replace b. Clean (descale)* or replace  c. Minimum 25 PSI (with water running) required to operate unit properly d. Switch to "ON" position e. Put clamp on tube or replace tube if brittle f. Replace with colored metering tip
3. Excess concentrate draw	a. Metering tip not in place	a. Press correct tip firmly into barb on pick-up stem
4. Failure of unit to turn off	a. Trigger lock is on	a. Release trigger lock



**FOAMER/SPRAYER  
MODEL 5823 & 5824**

- Package Should Contain:
1. Satellite dispenser
  2. Product inlet tubing, 1/4" x 12"
  3. Ceramic weight.
  4. Footvalve
  5. Metering tip kit
  6. Instruction sheet.

**THANK YOU FOR YOUR INTEREST IN OUR PRODUCTS**

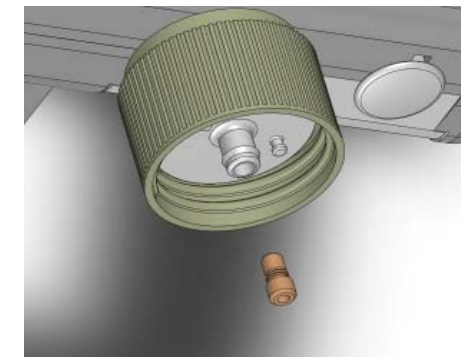
Please use this equipment carefully and observe all warnings and cautions.

\*\*\*\*\*NOTE\*\*\*\*\*

<b>WEAR</b>	protective clothing and eyewear when dispensing chemicals or other materials or when working in the vicinity of all chemicals, filling or emptying equipment, or changing metering tips.
<b>ALWAYS</b>	observe safety and handling instructions of the chemical manufacturer.  direct discharge away from you or other persons or into approved containers.  dispense cleaners and chemicals in accordance with manufacturer's instructions. Exercise CAUTION when maintaining your equipment.  reassemble equipment according to instruction procedures. Be sure all components are firmly screwed or latched into position.
<b>KEEP</b>	equipment clean to maintain proper operation.

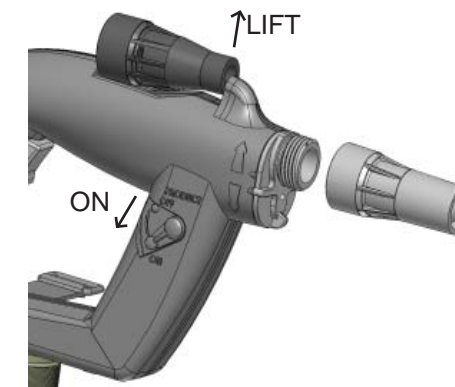
Installation and Operation:

1. Remove dispensing unit from box.
2. Select metering tip using guide on next page. Install metering tip into barb in center of cap. Cut product inlet tube to desired length for selected bottle, slide weight over end of tube, insert footvalve into end of tube. NOTE: REMEMBER TO CHECK FOOT VALVE STRAINERS PERIODICALLY FOR CLOGGING: CLEAN IF NECESSARY.



3. Insert product inlet assembly into bottle and secure dispensing unit to bottle. Use velcro strap to further secure bottle handle to dispensing unit.
4. Connect water supply hose of at least 3/8" ID to water inlet swivel. (Minimum 25 PSI pressure, with water running, is required for proper operation.)

5. Install Foam or Spray Nozzle to front of dispenser. Move product switch to "ON" to dispense product. Switch to "OFF" to rinse. Rotate front nozzle for jet rinse.



6. To remove Foam or Spray Nozzle. Lift up on front. Snap other Nozzle in place when not in use.



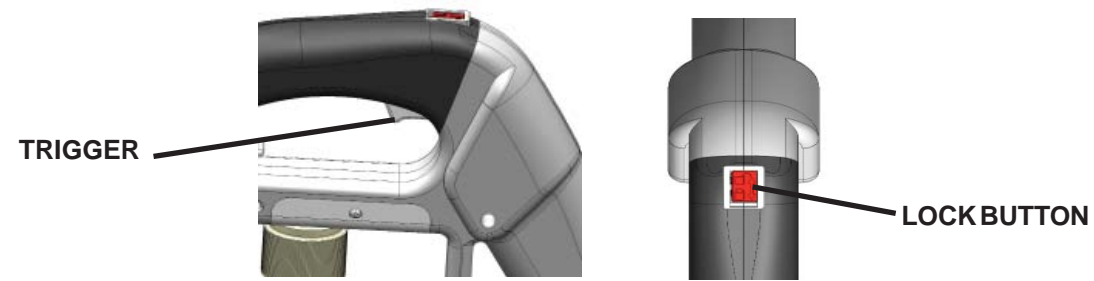
**A DOVER COMPANY**

Hydro Systems 3798 Round Bottom Road, Cincinnati, OH 45244 Phone: (513) 271-8800 Fax: (513) 271-0160

10092190  
10/09

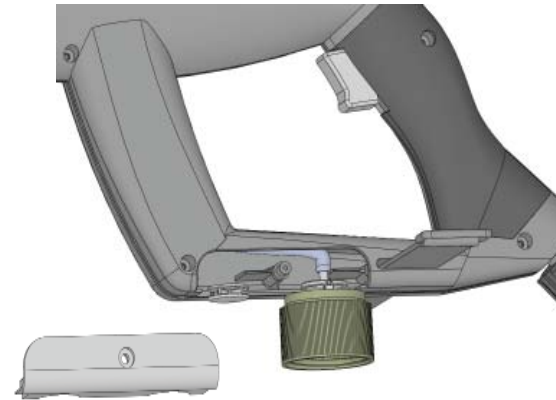
CONTINUED ON NEXT PAGE....

7. Depress trigger to begin dispensing desired concentrate solution; release trigger to stop flow of solution. To lock trigger in "ON" position depress and hold trigger while sliding red lock button back then release trigger. To release lock push red lock button up and slightly forward to stop flow of solution.



7. To disconnect, turn off water source. Make sure on/off valve is in OFF position. Disconnect water supply hose from unit.

8. Bottle Conversion.  
Your dispenser was delivered to fit an "F-Style" or "Round Gallon" bottle. The cap can be converted from one style to the other by removing the screw to the cover, and relocating the cap. Replace the button insert into the open hole. Then reinstall the cover and screw.



#### Metering Tip Selection:

The final concentration of the dispensed solution is related to both the size of the metering tip opening and the viscosity of the liquid being siphoned. For water-thin products, the chart at right can be used as a guideline. If product is noticeably thicker than water, consult the Measurement of Concentration Procedure below to achieve your desired water-to-product ratio. Because dilution can vary with water temperature and pressure, actual dilution achieved can only be ascertained by using the Measurement of Concentration Procedure. The clear, undrilled tip is provided to permit drilling to size not listed should you need a dilution ratio that falls between standard tip sizes.

NOTE: Refer to parts diagram if unfamiliar with names of system components.

#### Measurement of Concentration:

You can determine the dispensed water-to-product ratio for any metering tip size and product viscosity. All that is required is to operate the primed dispenser for a minute or so and note two things: the amount of dispensed solution, and the amount of concentrate used in preparation of the solution dispensed. The water-to-product ratio is then calculated as follows:

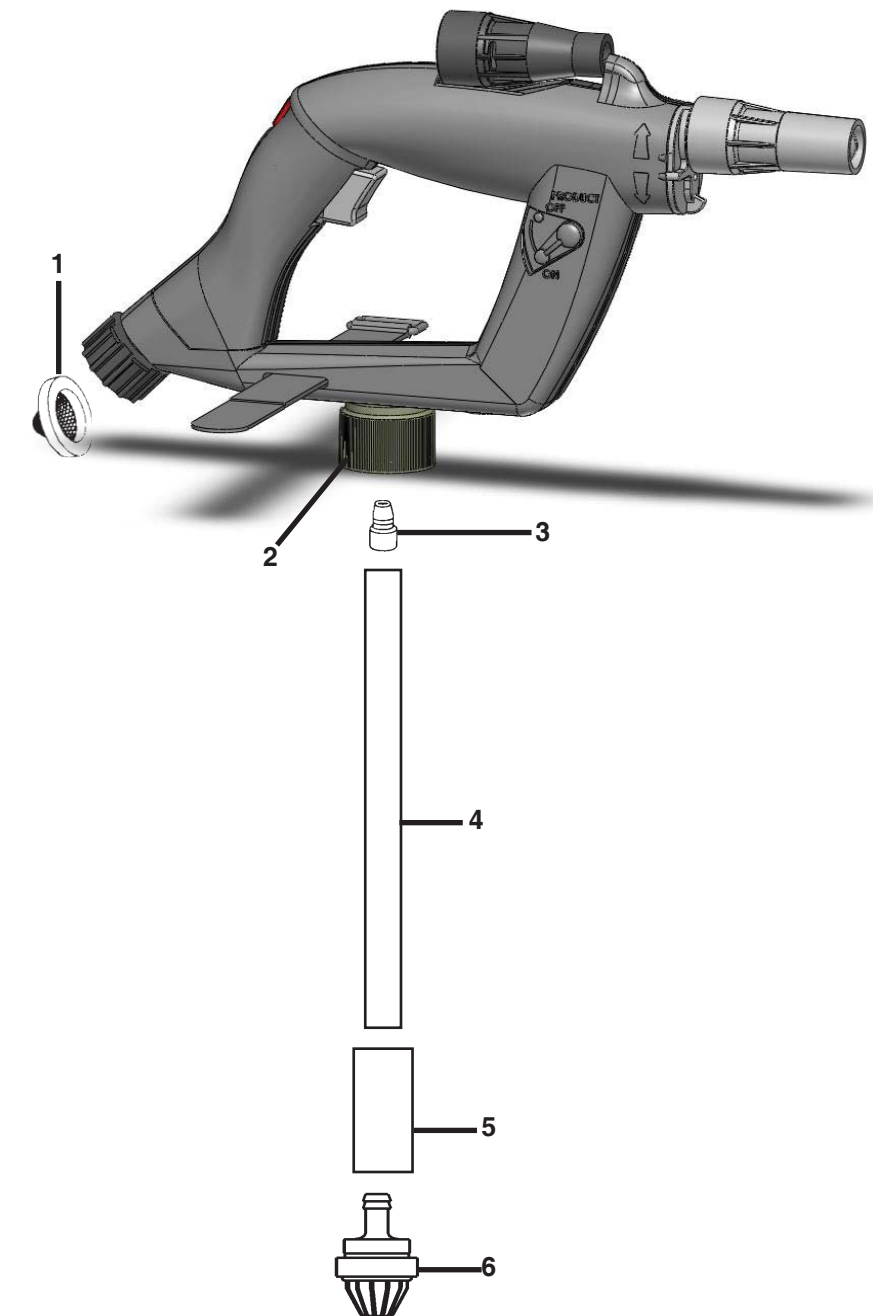
$$\text{Dilution Ratio (X:1) where X = Amount of Mixed Solution} \text{ --- } \frac{\text{Amount of Concentrate Drawn}}{\text{Amount of Concentrate Drawn}}$$

Amount of Concentrate Drawn

Dilution Ratio, then, equals X parts water to one part concentrate (X:1). If the test does not yield the desired ratio, choose a different tip and repeat the test. Alternative methods to this test are 1) pH (using litmus paper), and 2) titration. Contact your concentrate supplier for further information on these alternative methods and the materials required to perform them.

APPROXIMATE DILUTIONS AT 40 PSI FOR WATER-THIN PRODUCTS (1.0 CP)				
Tip Color	Orifice Size	Std. Drill Number	Ratio (per Eductor Flow) 2.5 GPM	
			Foamer	Sprayer
No Tip	.187	(3/16)	7:1	13:1
Grey	.128	(30)	7.5:1	13:1
Black	.098	(40)	8:1	13:1
Beige	.070	(50)	8:1	15:1
Red	.052	(55)	11:1	17:1
White	.043	(57)	15:1	22:1
Blue	.040	(60)	18:1	24:1
Tan	.035	(65)	22:1	32:1
Green	.028	(70)	32:1	46:1
Orange	.025	(72)	45:1	57:1
Brown	.023	(74)	49:1	64:1
Yellow	.020	(76)	73:1	76:1
Aqua	.018	(77)	82:1	87:1
Purple	.014	(79)	140:1	140:1
Pink	.010	(87)	280:1	280:1

#### Parts Diagram List:



Key	Part No.	Description
1	238100	Strainer washer
2	10092189	Kit, cap replacement
3	690014	Metering tip kit
4	10027303	Pick-up tube, 12"
5	509900	Ceramic weight
6	10089410	Footvalve, Viton * EPDM also available order 10076302